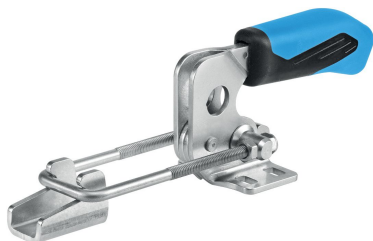


## Toggle Clamps Hook Type · with horizontal base

23330.3103



### Product Description

Due to their favourable power to movement ratio and their easy action the toggle clamps are versatile applicable for a wide range of uses.

The toggle clamps are manufactured from high quality components and are designed for maintenance-free continuous use.

An oil resistant ergonomic 2-component handle, with slip-proof, soft surface and large grip area for high ease of use.

### Material

#### Clamp

- Stainless steel

#### Rivet

- Stainless steel

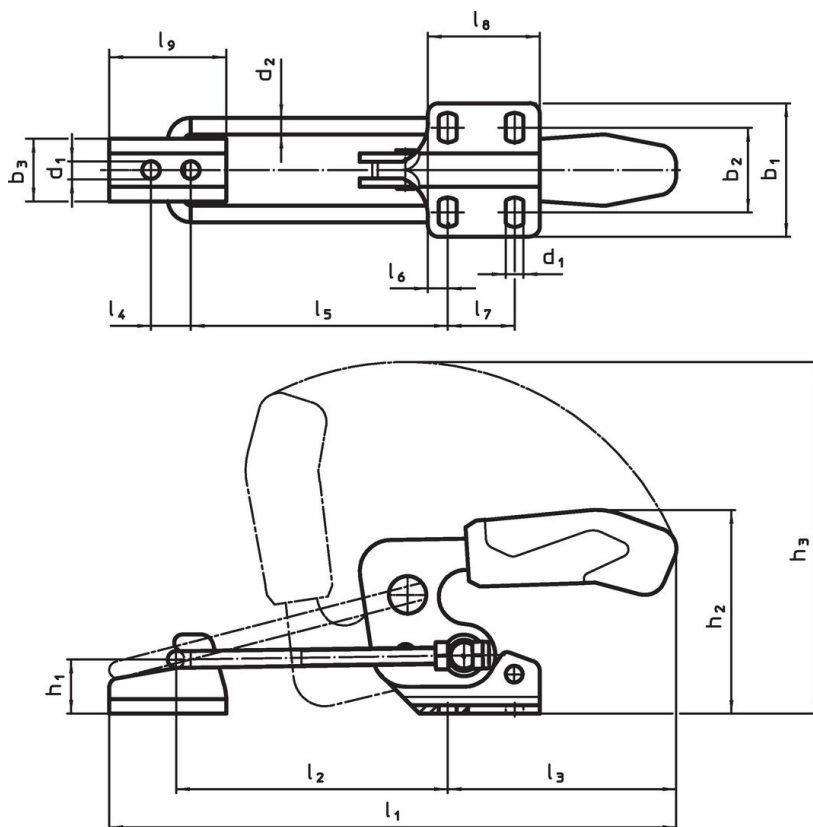
#### Handle

- plastic

#### Counter catch

- Stainless steel



### Drawing



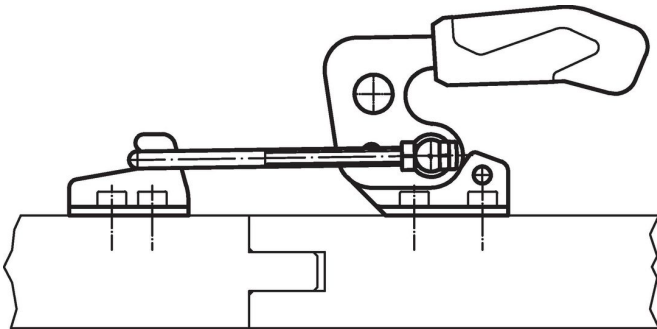
### Order information

Nominal size	Dimensions																			Holding force		Art. No.			
	d <sub>1</sub>	d <sub>2</sub>	b <sub>1</sub>	b <sub>2</sub>	b <sub>3</sub>	h <sub>1</sub>	h <sub>2</sub>	h <sub>3</sub>	l <sub>1</sub> min.	l <sub>1</sub> max.	l <sub>2</sub> min.	l <sub>2</sub> max.	l <sub>3</sub>	l <sub>4</sub>	l <sub>5</sub> min.	l <sub>5</sub> max.	l <sub>6</sub>	l <sub>7</sub>	l <sub>8</sub>	l <sub>9</sub>	F <sub>1</sub> [kN]		min. [°C]	max. [°C]	[g]
3	5.2	4	38	19.5 – 23.5	18	12	47	99	125	159	42	76	69	11	38	72	6.4	13	26	26	1.6	-10	80	144	23330.3103

Accessories

	Nominal size	l <sub>9</sub> [mm]	b <sub>3</sub> [mm]	d <sub>1</sub> [mm]	l <sub>4</sub> [mm]	 [g]	Art. No.
<b>Counter catch (accessories for toggle clamps hook type), Stainless steel</b>							
 No Photo available	3	26	18	5.2	11	15	23330.9523

Application example



Compliance

**RoHS compliant**

Compliant according to Directive 2011/65/EU and Directive 2015/863.

**Does not contain SVHC substances**

No SVHC substances with more than 0.1% w/w contained - SVHC list [REACH] as of 23.01.2024.

**Does not contain Proposition 65 substances**

No Proposition 65 substances included.  
<https://www.P65Warnings.ca.gov/>

**Free from Conflict Minerals**

This product does not contain any substances designated as "conflict minerals" such as tantalum, tin, gold or tungsten from the Democratic Republic of Congo or adjacent countries.