

Positioning Rings · for down-thrust clamp

23310.0360



Product Description

After aligning, the clamp positioning ring is fitted on the spindle with the effect, that repeated clamping is always exactly on the same point. The positioning ring is adjustable 360° on the down-thrust clamp. After mounting, the clamping claw can swing 110° to the left or right (only for the swiveling versions).

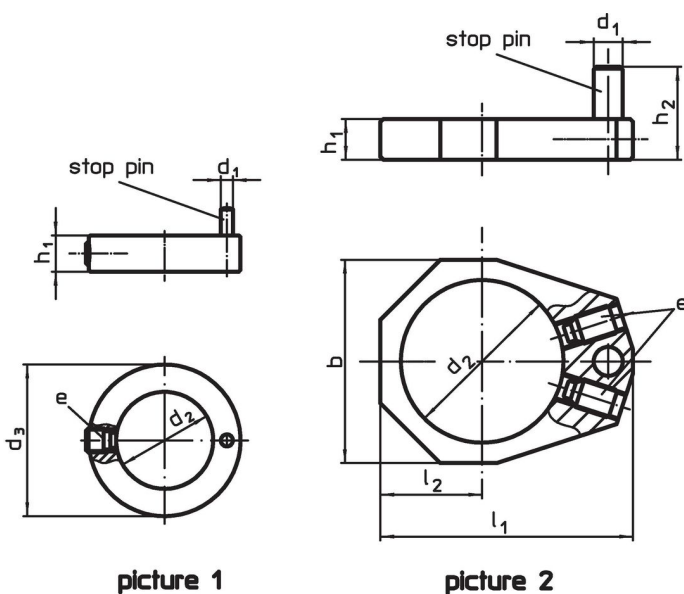
Material

- Steel, blackened

Assembly

Before mounting the positioning ring, pull-off the clamping claw of down-thrust clamp.

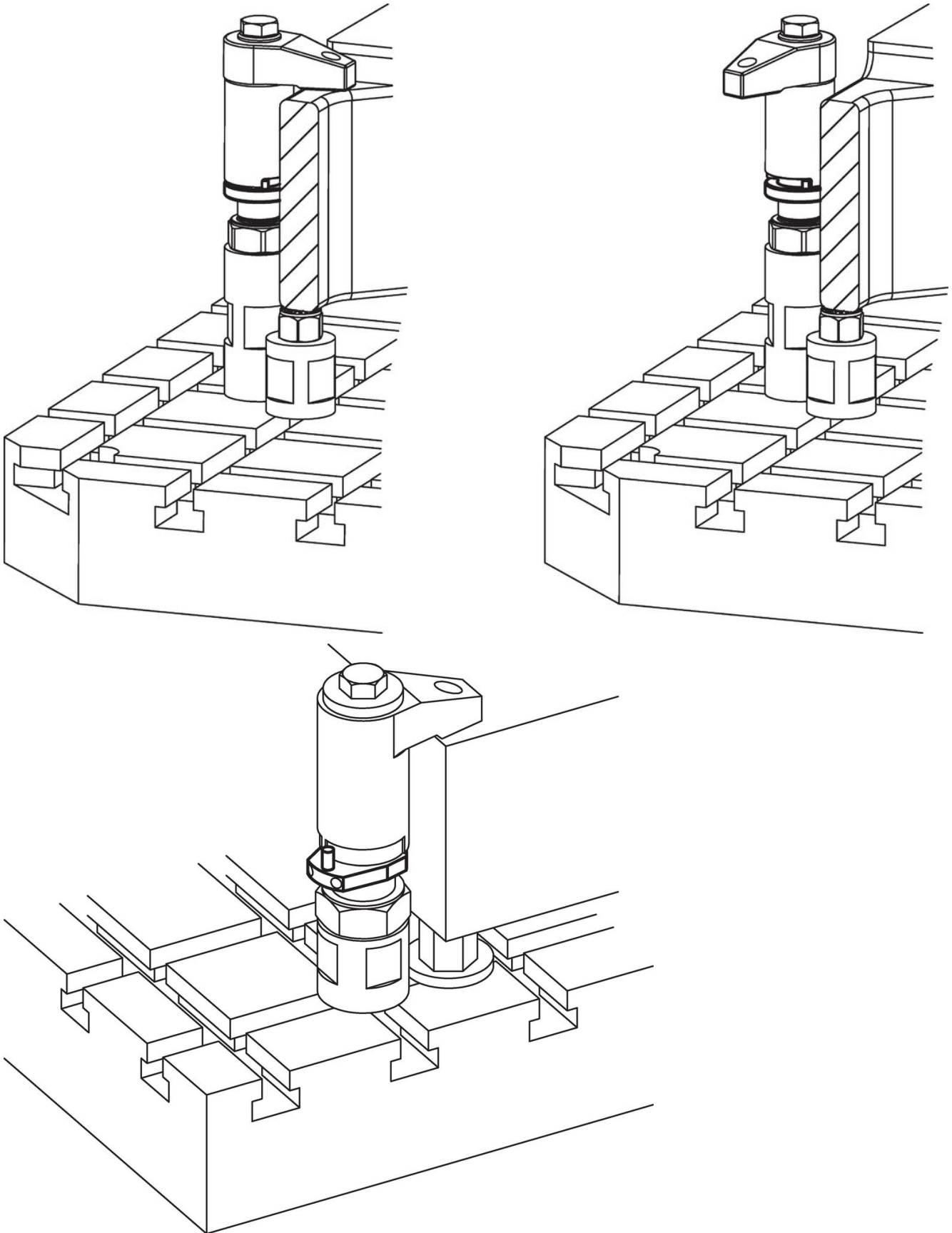
Drawing



Order information

Dimensions								For down-thrust clamp	[g]	Art. No.
h ₁	h ₂	d ₁	d ₂	l ₁	l ₂	b	e			
for down-thrust clamps size 60 – picture 2										
10	20	8	40	66.5	27.5	56	22760.0064	23310.0065, 23310.0067	151	23310.0360

Application example



Compliance

RoHS compliant

Contains lead - compliant according to exceptions 6a / 6b / 6c.

Contains SVHC substances >0,1% w/w

Contains lead - SVHC list [REACH] as of 27.06.2024.

Contains Proposition 65 substances



Lead can cause cancer and reproductive harm from exposure
<https://www.P65Warnings.ca.gov/>

Free from Conflict Minerals

This product does not contain any substances designated as "conflict minerals" such as tantalum, tin, gold or tungsten from the Democratic Republic of Congo or adjacent countries.