

Eccentric Clamping Washers

23270.0216



Product Description

The eccentric clamping washers are especially suitable for the clamping of raw parts, e.g. cut-off portions, cast iron parts and forgings.

Material

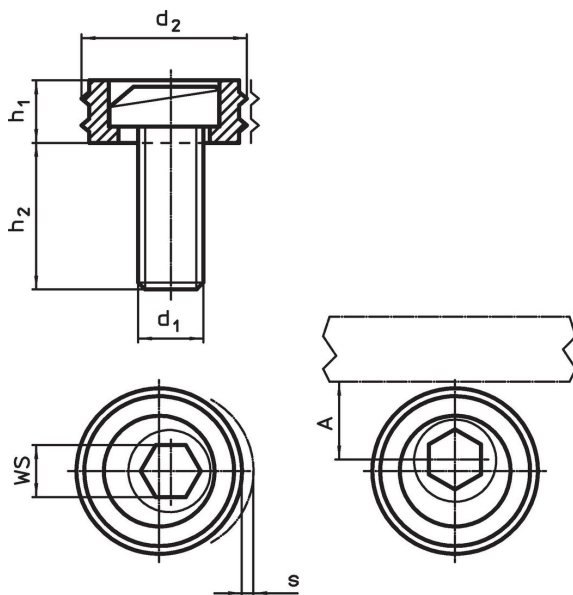
Eccentric screw

- Steel

Body

- Steel, case-hardened

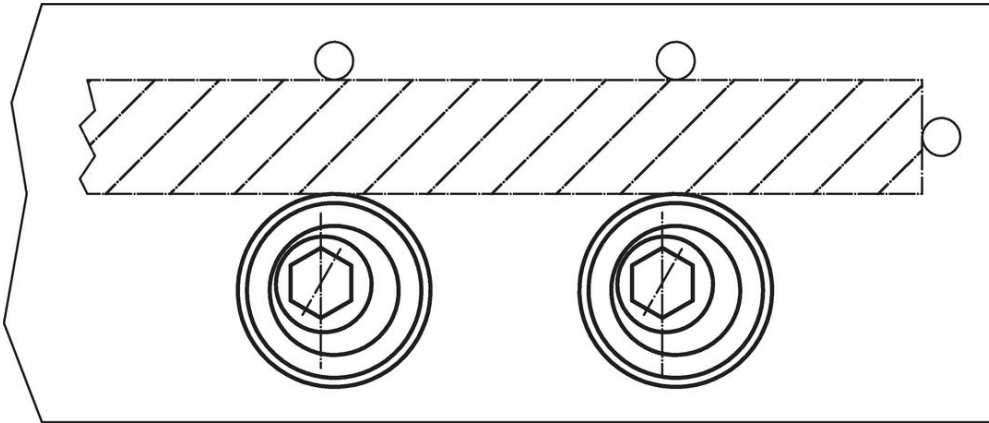
Drawing



Order information

d ₁	d ₂	Dimensions			A	WS	Clamping force max. [kN]	Tightening torque max. [Nm]	g	Art. No.
		h ₁	h ₂	s						
		[mm]			[mm]	[mm]				
M16	30.1	12.7	26.8	2.5	15	12	26.7	135	92	23270.0216

Application example



Compliance

Compliant according to Directive 2011/65/EU and Directive 2015/863.

No SVHC substances with more than 0.1% w/w contained - SVHC list [REACH] as of 23.01.2024.

No Proposition 65 substances included.
<https://www.P65Warnings.ca.gov/>