

Centering Pins • stepped

23110.0620



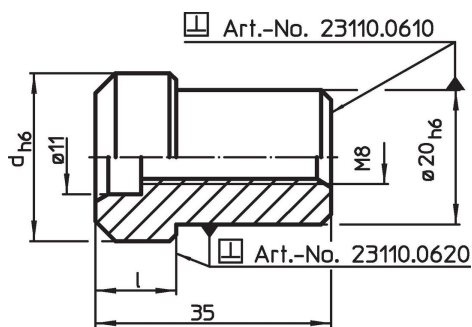
Product Description

The stepped centering pins are used for centering fixtures on pallets.


Material

- Alloyed case-hardened steel, case-hardened, ground

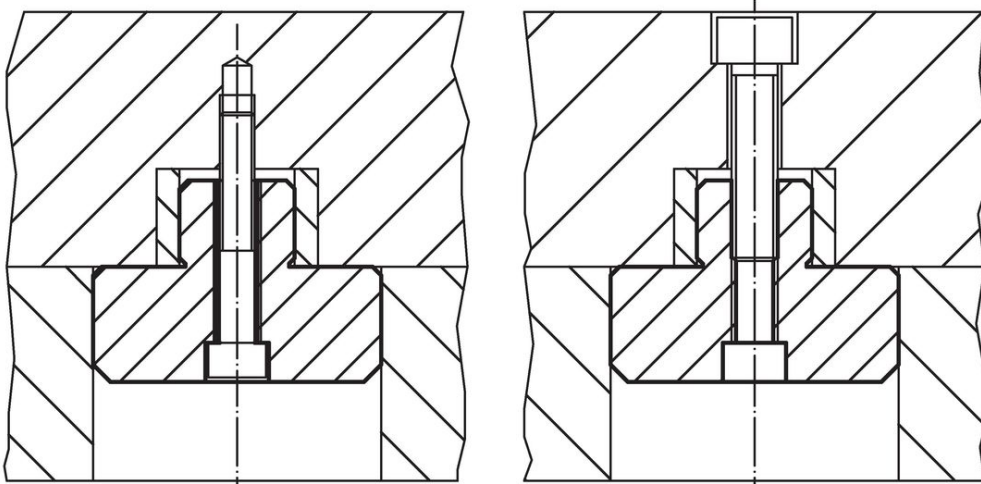
Drawing



Order information

Dimensions				Art. No.
d		l		
h6	[mm]		[g]	
50		20	330	23110.0620

Application example



Compliance

RoHS compliant

Compliant according to Directive 2011/65/EU and Directive 2015/863.

Does not contain SVHC substances

No SVHC substances with more than 0.1% w/w contained - SVHC list [REACH] as of 23.01.2024.

Does not contain Proposition 65 substances

No Proposition 65 substances included.

<https://www.P65Warnings.ca.gov/>

Free from Conflict Minerals

This product does not contain any substances designated as "conflict minerals" such as tantalum, tin, gold or tungsten from the Democratic Republic of Congo or adjacent countries.