

## Ball-Ended Thrust Screws • headed, round ball

22710.0796



### Product Description

Ball-ended thrust screws can also be used for positioning and clamping, tightening or supporting of non-parallel surfaces.

### Material

**Ball**  
• Stainless steel, hardened

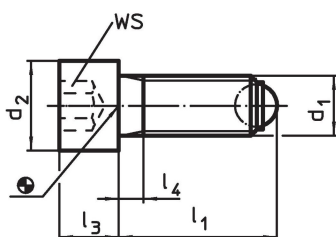
**Screw**  
• Stainless steel 1.4305

### More information

**Notes**  
Customized design on request.

**References**  
Thread lock on request, please refer to appendix - Technical Data -

### Drawing

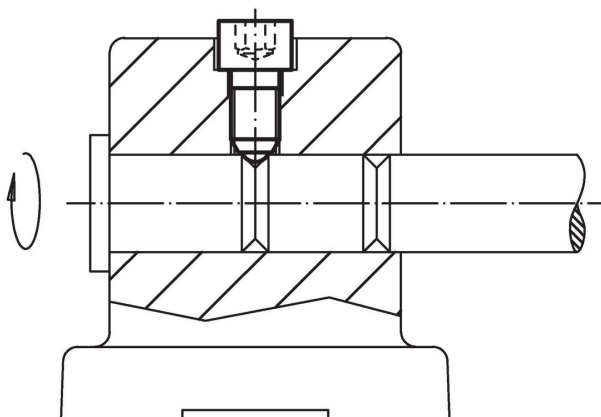


### Order information

Dimensions					Ball diameter	WS [mm]	Load capacity for static load <sup>1)</sup> max. [kN]	[g]	Art. No.
d <sub>1</sub>	l <sub>1</sub>	d <sub>2</sub>	l <sub>3</sub>	l <sub>4</sub>					
[mm]									
round ball, Stainless steel									
M16	83.3	24	16	36	12	14	60	154	22710.0796

<sup>1)</sup> Statements on load capacity are not valid for the stainless steel type.

### Application example



## Compliance

### RoHS compliant

Compliant according to Directive 2011/65/EU and Directive 2015/863.

### Does not contain SVHC substances

No SVHC substances with more than 0.1% w/w contained - SVHC list [REACH] as of 27.06.2024.

### Does not contain Proposition 65 substances

No Proposition 65 substances included.

<https://www.P65Warnings.ca.gov/>

### Free from Conflict Minerals

This product does not contain any substances designated as "conflict minerals" such as tantalum, tin, gold or tungsten from the Democratic Republic of Congo or adjacent countries.