

Locating Bushings · for lifting pins

22350.0956



Product Description

Locating bushings are used for quick and safe locating of lifting pins EH 22350 / EH 22351. Corrosion and abrasion resistant.

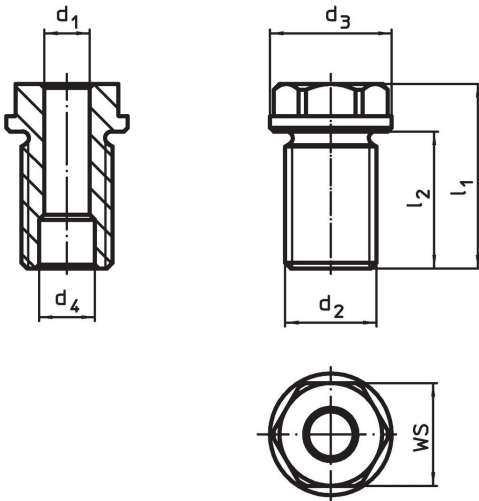
Material

- Stainless steel 1.4542, precipitation-hardened

Assembly

Safe tolerances and consistent function.
Easily incorporated into different materials
Can be mounted in blind holes.
For thin-walled parts, lock nuts are used for assembly.

Drawing



Order information

| Dimensions | | For nominal length | Dimensions | | | | WS | Tightening torque max. | x | Load capacity | | | For lifting pin | Art. No. | |
|----------------|----------------|--------------------|----------------|----------------|----------------|----------------|------|------------------------|------|----------------|----------------|----------------|--------------------|----------|------------|
| d ₁ | d ₂ | | d ₃ | d ₄ | l ₁ | l ₂ | | | | F ₁ | F ₂ | F ₃ | | | |
| H11 | | [mm] | -0.2 | +0.3 | | | [mm] | [Nm] | [mm] | [kN] | | | [g] | | |
| 20 | M36 x 2 | 75 | 43 | 26 | 95 | 80 | 36 | 440 | 1.5 | 10 | 8.5 | 6.5 | 22350.0675 / .0775 | 470 | 22350.0956 |

Application example



Compliance

RoHS compliant

Compliant according to Directive 2011/65/EU and Directive 2015/863.

Does not contain SVHC substances

No SVHC substances with more than 0.1% w/w contained - SVHC list [REACH] as of 23.01.2024.

Does not contain Proposition 65 substances

No Proposition 65 substances included.

<https://www.P65Warnings.ca.gov/>

Free from Conflict Minerals

This product does not contain any substances designated as "conflict minerals" such as tantalum, tin, gold or tungsten from the Democratic Republic of Congo or adjacent countries.