

## Ball Lock Connectors • self-locking, with holder

### 22330.0110



#### Product Description

Parts can be connected fast and easily with the ball lock connector in combination with the locating bushings.

The locating bushings are made from stainless steel. There are three versions available - mounting in wood (picture 2 and picture 4), one version that can be mounted in plastic (picture 3) and with holding (picture 5 and picture 6). In the bushings (picture 2, picture 3 and picture 5) the ball lock connector is lockable (4x90°). In the bushings (picture 4 and picture 6) the ball lock connector is rotatable.

As a robust tool, the item is made from stainless steel. The ball lock connector is maintenance-free, soundless and secured against loss.

#### Material

##### Pin part

- Stainless steel 1.4305

##### Holder

- Stainless steel

##### Ball

- Stainless steel

##### Spring

- Stainless steel

#### Assembly

##### Mounting into wood (picture 2 and picture 4)

1. Insert location hole and pilot hole for safety bolt according to specifications
2. Optionally recommended is the use of adhesive for securing
3. Press in bushing
4. Secure bushing with a screw

Note: The bore diameter ( $D_2$ ) for the pilot hole of the safety bolt depends on the screw used.

##### Mounting into plastic (picture 3)

1. Insert location hole according to instructions
2. Optionally recommended is the use of adhesive for securing
3. Screw in bushing

Note: The bore diameter to be chosen for the location hole depends on the hardness of the plastic.

#### Operation

The balls are unlocked by pressing the button.

#### Characteristic

Marking groove if dimension = 1,5 mm for  $l_1$  (bushings - pictures 2, 3 and 4) or  $l_2$  (ball lock connector - picture 1).

#### More information

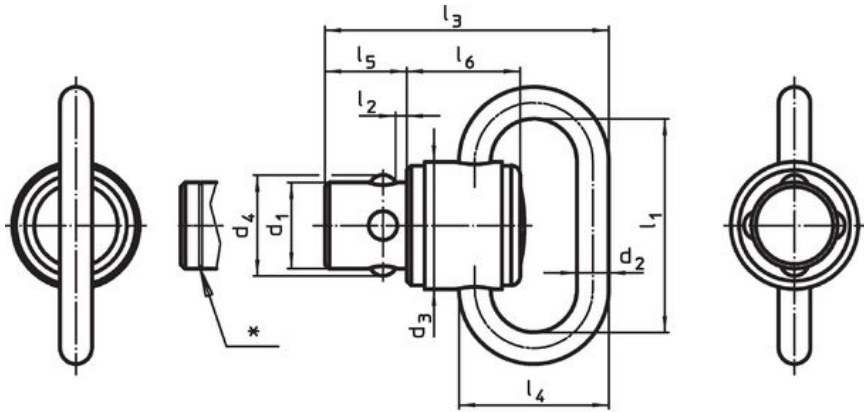
#### Notes

Special types on request.

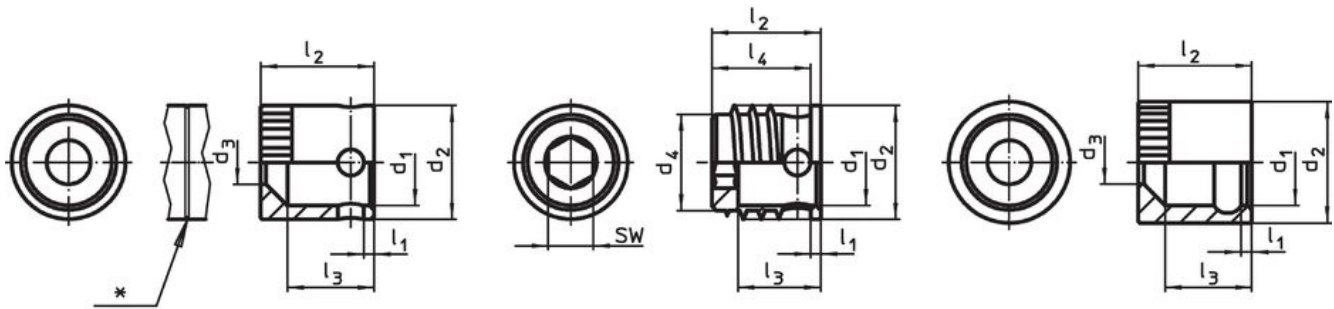
#### Further products

- Ball Lock Connectors, self-locking, with holding rings
- Ball Lock Connectors, self-locking, with holder, compact construction

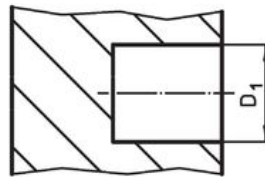
Drawing



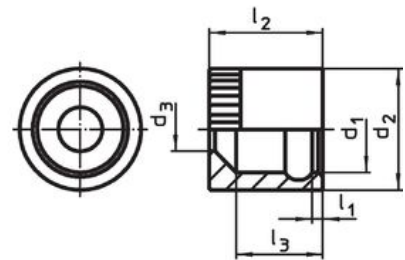
picture 1



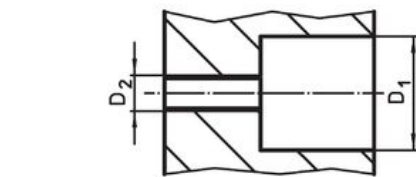
picture 2



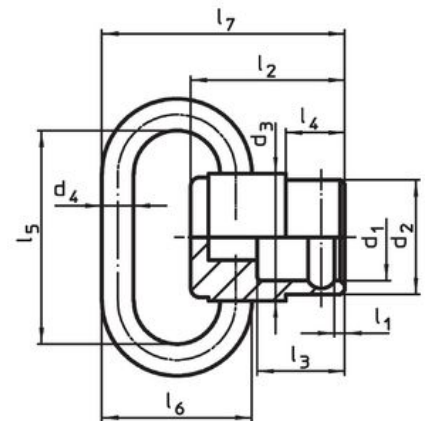
picture 3



picture 4



picture 5



picture 6

\* Marking if dimension = 1,5 mm for  $l_1$  (pictures 2,3 and 4) or  $l_2$  (picture 1).

Order information

Nominal diameter $d_1$ [mm]	Dimensions										Load capacity max. [kN]	Temperature		Weight [g]	Art. No.
	$l_1$	$l_2$	$d_2$	$d_3$	$d_4$	$l_3$	$l_4$	$l_5$	$l_6$	min.		max.			
Ball Lock Connectors – picture 1															
9.5	23	1	3.5	14	11.1	31.3	16.5	9	12.5	1.2	-50	150	22	22330.0110	

### Application example



### Compliance

#### RoHS compliant

Compliant according to Directive 2011/65/EU and Directive 2015/863.

#### Does not contain SVHC substances

No SVHC substances with more than 0.1% w/w contained - SVHC list [REACH] as of 27.06.2024.

#### Does not contain Proposition 65 substances

No Proposition 65 substances included.

<https://www.P65Warnings.ca.gov/>

#### Free from Conflict Minerals

This product does not contain any substances designated as "conflict minerals" such as tantalum, tin, gold or tungsten from the Democratic Republic of Congo or adjacent countries.