

## Spring-Loaded Catches • DIN 6310 catches with spring

22200.0045



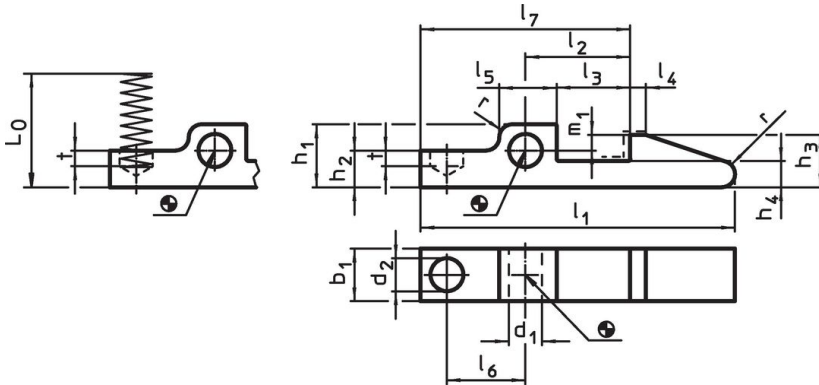
### Product Description

The catches with spring, manufactured according to DIN 6310, are used as locking elements, for example.

### Material

- Heat-treated steel, blackened. Hardened where shown by \_\_\_ line.

### Drawing

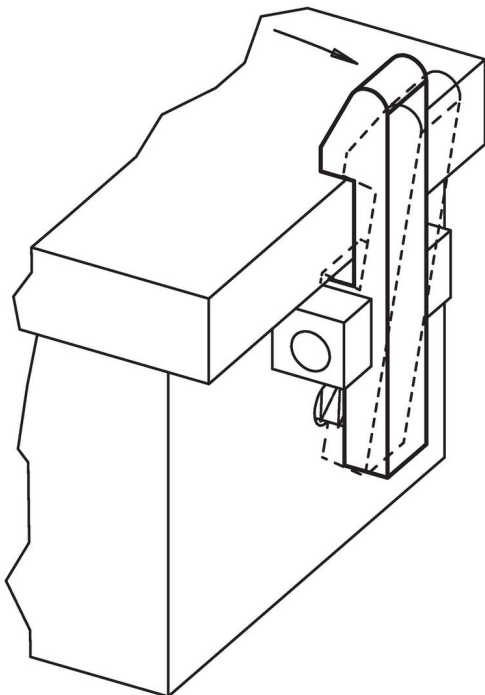


Hardened where shown by \_\_\_ line.

### Order information

| Dimensions |               |             |       |       |       |       |       |                    |       |       |       |       |       |       |     |     | Spring rate<br>R<br>~<br>[N/mm] | [g] | Art. No. |            |
|------------|---------------|-------------|-------|-------|-------|-------|-------|--------------------|-------|-------|-------|-------|-------|-------|-----|-----|---------------------------------|-----|----------|------------|
| $l_1$      | $b_1$<br>-0.2 | $d_1$<br>E9 | $d_2$ | $h_1$ | $h_2$ | $h_3$ | $h_4$ | $l_2$<br>$\pm 0.1$ | $l_3$ | $l_4$ | $l_5$ | $l_6$ | $l_7$ | $m_1$ | $t$ | $r$ |                                 |     |          | $L_0$<br>~ |
| [mm]       |               |             |       |       |       |       |       |                    |       |       |       |       |       |       |     |     |                                 |     |          |            |
| 45         | 8             | 4           | 5     | 9.5   | 5.5   | 8     | 4     | 15                 | 10    | 2     | 9     | 11    | 30    | 2.5   | 1.5 | 1.6 | 17.8                            | 3   | 15       | 22200.0045 |

### Application example



## Compliance

### RoHS compliant

Compliant according to Directive 2011/65/EU and Directive 2015/863.

### Does not contain SVHC substances

No SVHC substances with more than 0.1% w/w contained - SVHC list [REACH] as of 23.01.2024.

### Does not contain Proposition 65 substances

No Proposition 65 substances included.

<https://www.P65Warnings.ca.gov/>

### Free from Conflict Minerals

This product does not contain any substances designated as "conflict minerals" such as tantalum, tin, gold or tungsten from the Democratic Republic of Congo or adjacent countries.