

Lateral Plungers · with thread, without seal, with female thread

22150.1331



**Product Description**

To be used for positioning and applying pressure, e.g. during painting and sandblasting.

**Material**

- Body**
  - Steel, zinc-plated
- Threaded washer**
  - Steel, blackened
- Spring**
  - Steel, blackened

**Assembly**

Formula for calculating the center distance for the mounting hole:

$$l_0 = z/2 + w + x,$$

$l_0$  = center distance,

$y$  = workpiece height,

$w$  = workpiece length,

$x$  = stroke,

$z$  = stop diameter

Calculation dimension  $x$  for workpieces:

$$x = d_2/2 - s$$

Lateral plungers are installed by screwing in by means of a mounting tool.

**Characteristic**

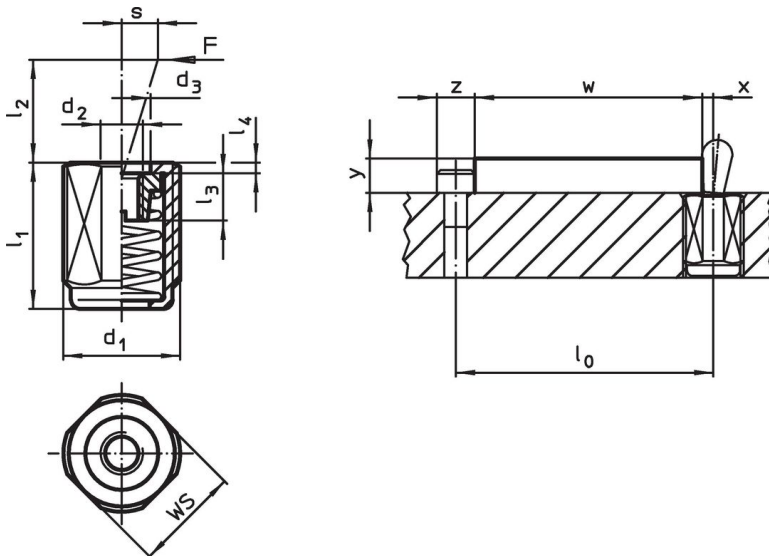
Version standard spring load = spring from steel, blackened

**More information**

**Notes**

Individual set screws can be screwed in the plate with threaded hole.

**Drawing**




### Order information

Dimensions		Spring load F max. <sup>1)</sup> ~ [N]	Dimensions					Stroke s [mm]	WS [mm]	max. [°C]	[g]	Art. No.
d <sub>1</sub> [mm]	l <sub>1</sub> -2		d <sub>2</sub>	d <sub>3</sub>	l <sub>2</sub> [mm]	l <sub>3</sub>	l <sub>4</sub>					
<b>Standard spring load</b>												
M12	11.5	75	M4	6.1	10.7	4.5	1.5	1	10	250	3.5	22150.1331

<sup>1)</sup> statistical average value

### Accessories

	Dimensions d <sub>1</sub> [mm]	[g]	Art. No.
<b>assembly tool</b>			
	M12	76	22150.0820

### Application example



### Compliance

#### RoHS compliant

Contains lead - compliant according to exceptions 6a / 6b / 6c.

#### Contains SVHC substances >0,1% w/w

Contains lead - SVHC list [REACH] as of 23.01.2024.

#### Contains Proposition 65 substances



Lead can cause cancer and reproductive harm from exposure  
<https://www.P65Warnings.ca.gov/>

#### Free from Conflict Minerals

This product does not contain any substances designated as "conflict minerals" such as tantalum, tin, gold or tungsten from the Democratic Republic of Congo or adjacent countries.