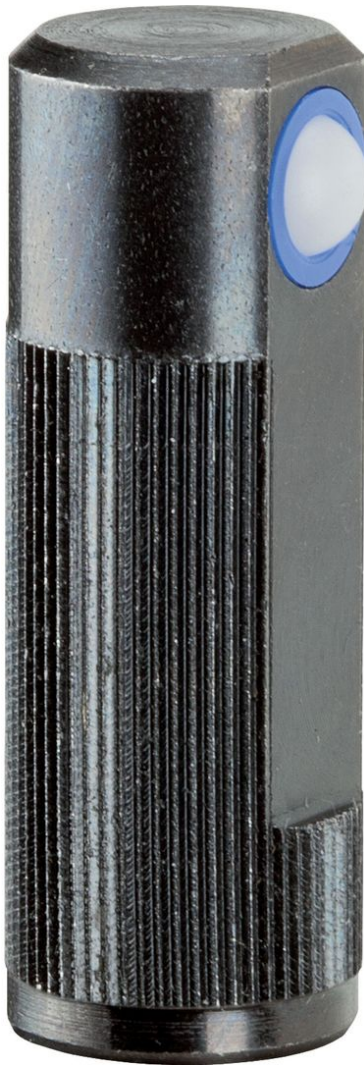


Lateral Spring Plungers

22140.0114



Product Description

To be used for positioning and applying pressure, e.g. during painting and sandblasting.

Material

Ball

- Thermoplastic POM, white

Body

- Free cutting steel, blackened

Spring

- Stainless steel

Assembly

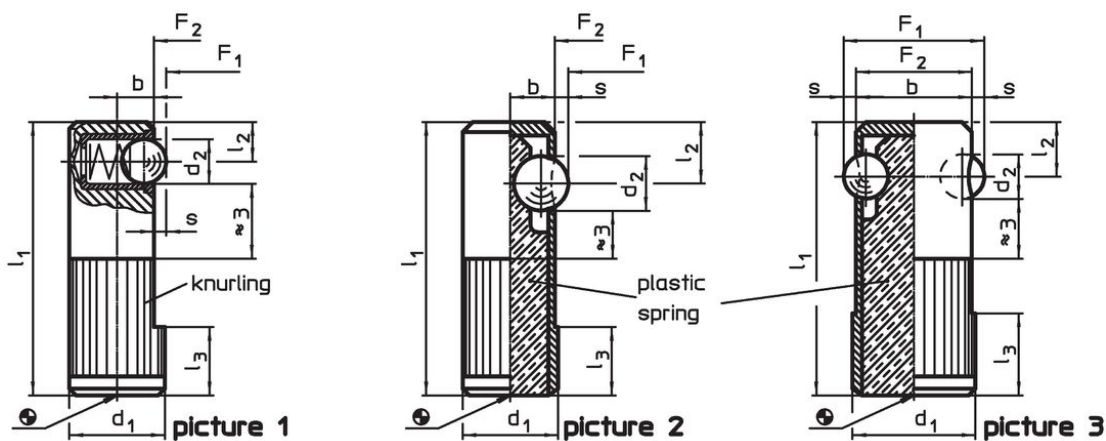
Insertion bore l_3 to be considered.

More information

Notes

Special types on request.

Drawing



Order information

Dimensions						Location hole H8 [mm]	Stroke s [mm]	Spring load ¹⁾		Temperature		Weight [g]	Art. No.
d ₁ +0.1	d ₂	l ₁	l ₂	l ₃	b			F ₁ ~	F ₂ ~	min.	max.		
[mm]						[mm]	[mm]	[N]	[°C]		[g]		
ball from thermoplastic, standard spring load, one-sided – picture 1													
14	6.5	40	5.8	10	5.4	14	1.9	8	18	-30	50	42	22140.0114

¹⁾ statistical average value

Application example



Compliance

RoHS compliant

Contains lead - compliant according to exceptions 6a / 6b / 6c.

Contains SVHC substances >0,1% w/w

Contains lead - SVHC list [REACH] as of 27.06.2024.

Contains Proposition 65 substances



Lead can cause cancer and reproductive harm from exposure
<https://www.P65Warnings.ca.gov/>

Free from Conflict Minerals

This product does not contain any substances designated as "conflict minerals" such as tantalum, tin, gold or tungsten from the Democratic Republic of Congo or adjacent countries.