

Index Plungers · with rapid locking head

22122.0310



Product Description

Index plungers are used for indexing bores.

Material

Body

- Stainless steel 1.4305

Press button

- Thermoplastic POM, red

Locking pin

- Stainless steel 1.4305, nickel-plated

Knob

- Thermoplastic PA 6, black-grey, matt

Assembly

The screw length can be adapted by distance collars for index plungers (EH 22120.).

Operation

The locking pin is drawn in and locked by pulling the knob. The projecting red press button indicates the locking position (locking pin drawn in). Pushing the red press button causes the locking pin to jump back into the locking position.

More information

Notes

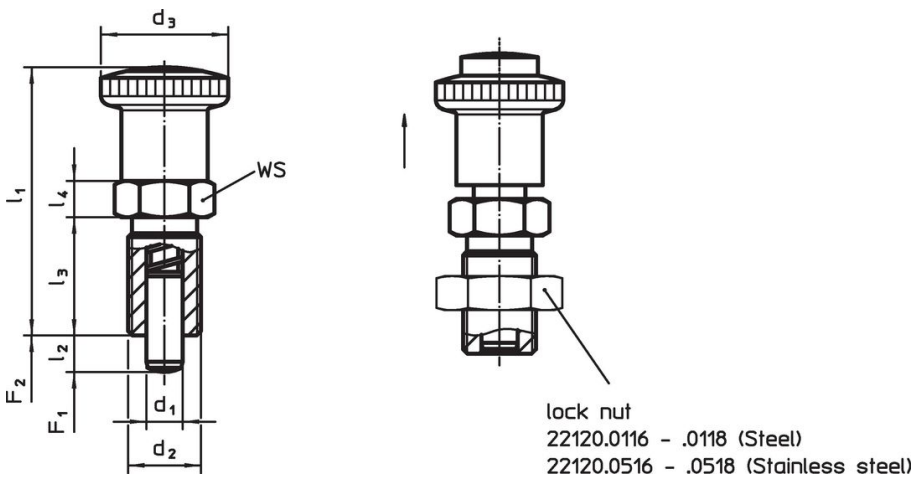
Knob not removable.

Lock nuts have to be purchased separately.

Further products

- Locating Bushings, for index bolts and index plungers
- Distance Collars, for index plungers
- Mounting Blocks, for index bolts and index plungers

Drawing



Order information

Dimensions							WS	Spring load ¹⁾		Temperature		Weight	Art. No.
d ₁	d ₂	l ₂ min.	d ₃	l ₁ ~	l ₃	l ₄		F ₁ ~	F ₂ ~	min.	max.	[g]	
[mm]							[mm]	[N]		[°C]			
Stainless steel													
6	M12 x 1,5	9	30	53.5	22	6	19	6	25	-30	80	49	22122.0310

¹⁾ statistical average value

Compliance

RoHS compliant

Compliant according to Directive 2011/65/EU and Directive 2015/863.

Does not contain SVHC substances

No SVHC substances with more than 0.1% w/w contained - SVHC list [REACH] as of 23.01.2024.

Does not contain Proposition 65 substances

No Proposition 65 substances included.

<https://www.P65Warnings.ca.gov/>

Free from Conflict Minerals

This product does not contain any substances designated as "conflict minerals" such as tantalum, tin, gold or tungsten from the Democratic Republic of Congo or adjacent countries.