

**Index Plungers · with pull-ring**  
22120.1310



**Product Description**

Index plungers are used for indexing bores.

**Material**

**Body**

- Steel, blackened

**Locking pin**

- Stainless steel 1.4305, nickel-plated

**Pull-ring**

- Stainless steel 1.4310

**Assembly**

Lock nuts have to be purchased separately.

**Operation**

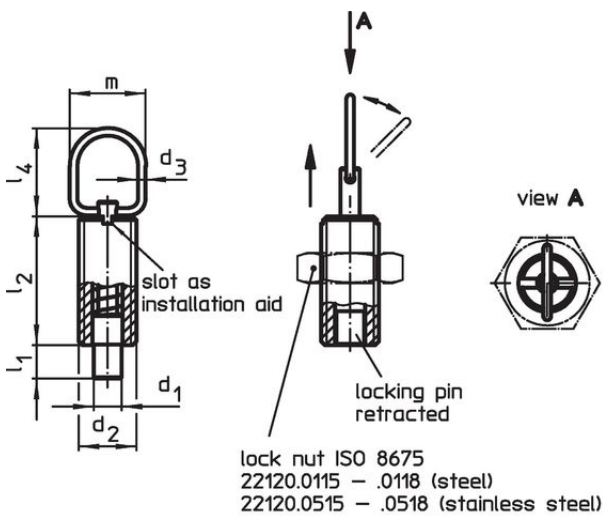
When using the model with locking mechanism, you turn the pull-ring by 90° after retracting the locking pin and secure the ring using the notched catch (if the locking pin should not overhang).

**More information**

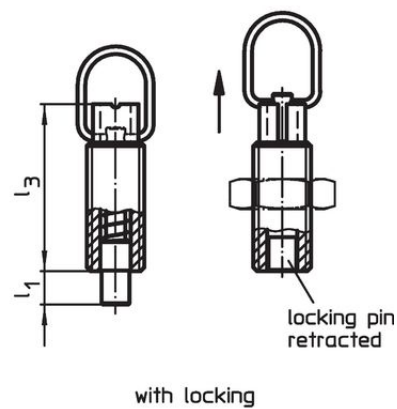
**Further products**

- Mounting Blocks, for index bolts and index plungers, die-cast
- Locating Bushings, for index bolts and index plungers
- Distance Collars, for index plungers
- Mounting Blocks, for index bolts and index plungers

**Drawing**



picture 1




picture 2

**Order information**

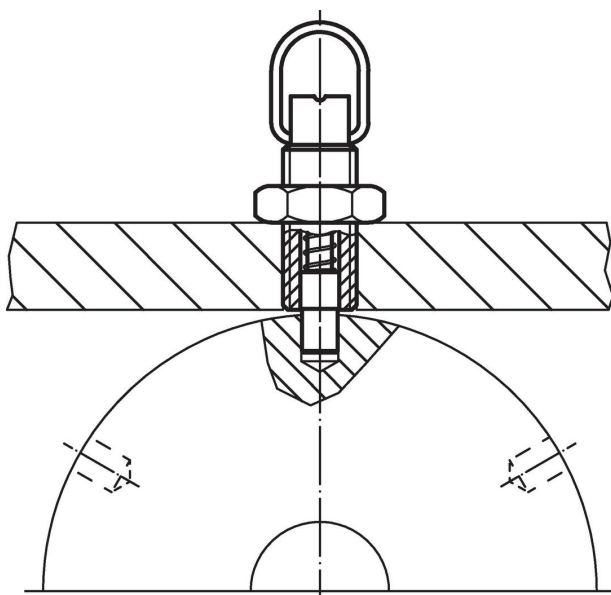
Dimensions								Stroke s [mm]	Spring load <sup>1)</sup>		max. [°C]	[g]	Art. No.
d <sub>1</sub> -0.05 -0.1	d <sub>2</sub>	d <sub>3</sub>	l <sub>1</sub> min. [mm]	l <sub>2</sub>	l <sub>3</sub>	l <sub>4</sub>	m		F <sub>1</sub> ~ [N]	F <sub>2</sub> ~ [N]			
<b>without locking – picture 1, Steel</b>													
5	M10	1.5	5	22	28	23	18	5	5	15	250	11	22120.1310

<sup>1)</sup> statistical average value

**Accessories**

	Dimensions d <sub>2</sub> [mm]	Wrench size [mm]	[g]	Art. No.
<b>Lock nuts ISO 4035, Steel</b>				
	M10	16	5.3	22120.0706

**Application example**



**Compliance**

**RoHS compliant**

Contains lead - compliant according to exceptions 6a / 6b / 6c.

**Contains SVHC substances >0,1% w/w**

Contains lead - SVHC list [REACH] as of 23.01.2024.

**Contains Proposition 65 substances**



Lead can cause cancer and reproductive harm from exposure  
<https://www.P65Warnings.ca.gov/>

**Free from Conflict Minerals**

This product does not contain any substances designated as "conflict minerals" such as tantalum, tin, gold or tungsten from the Democratic Republic of Congo or adjacent countries.