

## Index Plungers · with hexagon collar and locking, stainless steel A4

22120.1178



### Product Description

Index plungers are used for indexing bores.  
The stainless steel A4 version ensures maximum corrosion resistance.

### Material

#### Body

- Stainless steel 1.4401

#### Locking pin

- Stainless steel 1.4401 nickel-plated

#### Knob

- Stainless steel 1.4401

#### Lock nut

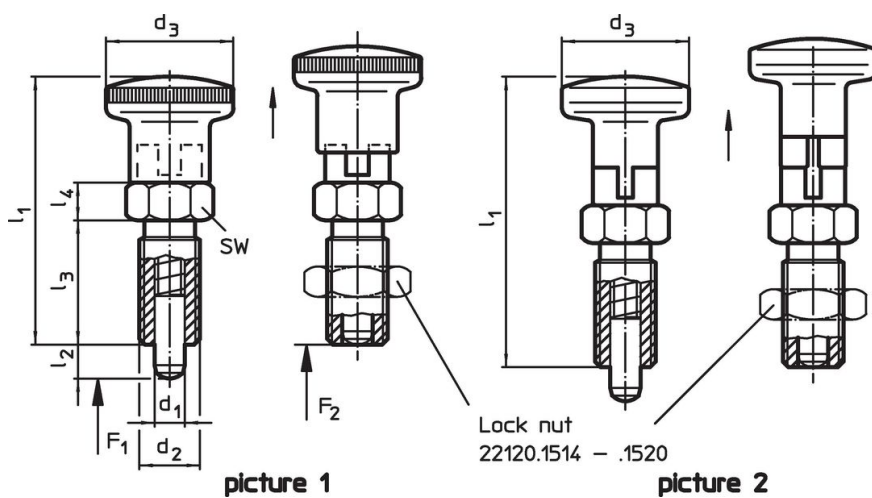
- Stainless steel 1.4401

### More information

#### Notes

Knob not removable.  
Lock nuts have to be purchased separately.

### Drawing




### Order information

Dimensions							Spring load <sup>1)</sup>		🌡️	🏋️	Art. No.
d <sub>1</sub>	d <sub>2</sub>	l <sub>2</sub> min.	d <sub>3</sub>	l <sub>1</sub>	l <sub>3</sub>	l <sub>4</sub>	F <sub>1</sub> ~	F <sub>2</sub> ~	max.		
[mm]							[N]		[°C]	[g]	
with knob from stainless steel – picture 2											
8	M16 x 1,5	8	27	58	26	8	6	23	100	117	22120.1178

<sup>1)</sup> statistical average value

### Accessories

	Dimensions d <sub>2</sub> [mm]	Wrench size [mm]	🏋️ [g]	Art. No.
Lock nuts ISO 8675 (DIN 439), Stainless steel 1.4401				
	M16 x 1,5	24	18.0	22120.1518

### Compliance

#### RoHS compliant

Compliant according to Directive 2011/65/EU and Directive 2015/863.

#### Does not contain SVHC substances

No SVHC substances with more than 0.1% w/w contained - SVHC list [REACH] as of 27.06.2024.

#### Does not contain Proposition 65 substances

No Proposition 65 substances included.

<https://www.P65Warnings.ca.gov/>

#### Free from Conflict Minerals