

Index Plungers · with hexagon collar and locking, stainless steel A4

22120.1164



Product Description

Index plungers are used for indexing bores.
The stainless steel A4 version ensures maximum corrosion resistance.

Material

Body

- Stainless steel 1.4401

Locking pin

- Stainless steel 1.4401 nickel-plated

Knob

- Thermoplastic PA 6, black-grey, matt

Lock nut

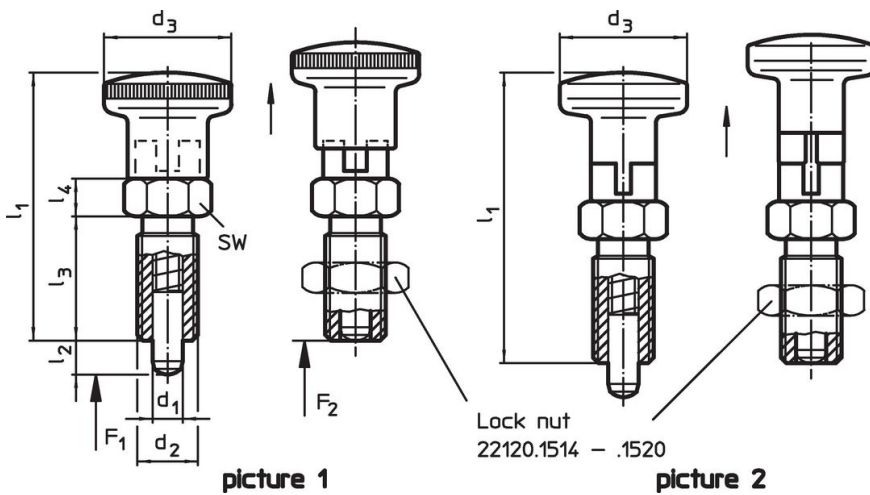
- Stainless steel 1.4401

More information

Notes

Knob not removable.
Lock nuts have to be purchased separately.

Drawing





Order information

| Dimensions | | | | | | | Spring load ¹⁾ | | Temperature | | Weight [g] | Art. No. |
|--|----------------|---------------------|----------------|----------------|----------------|----------------|---------------------------|----------------|-------------|------|------------|------------|
| d ₁ | d ₂ | l ₂ min. | d ₃ | l ₁ | l ₃ | l ₄ | F ₁ | F ₂ | min. | max. | | |
| -0.02 | | | | | | | ~ | ~ | | | | |
| -0.05 | | | | | | | [N] | [N] | [°C] | [°C] | [g] | |
| with knob of thermoplastic – picture 1 | | | | | | | | | | | | |
| 4 | M8 x 1 | 6 | 16 | 35 | 22 | 6 | 4.5 | 16 | -30 | 80 | 11 | 22120.1164 |

¹⁾ statistical average value

Accessories

| | Dimensions d ₂ [mm] | Wrench size [mm] |  [g] | Art. No. |
|---|--------------------------------------|---------------------|--|------------|
| Lock nuts ISO 8675 (DIN 439), Stainless steel 1.4401 | | | | |
|  | M12 x 1,5 | 18 | 7.6 | 22120.1516 |

Compliance

RoHS compliant

Compliant according to Directive 2011/65/EU and Directive 2015/863.

Does not contain SVHC substances

No SVHC substances with more than 0.1% w/w contained - SVHC list [REACH] as of 23.01.2024.

Does not contain Proposition 65 substances

No Proposition 65 substances included.
<https://www.P65Warnings.ca.gov/>

Free from Conflict Minerals