

Index Plungers • simple finish

22120.0744



**Product Description**

Application is limited to cases not requiring a precise positioning.  
Simple finish with very small dimensions.

**Material**

**Body**

- Steel, zinc-plated by galvanization

**Locking pin**

- Stainless steel 1.4305

**Knob**

- Thermoplastic PA 6, black, dull

**Operation**

When using locking index plungers, the knob is pulled-out, turned 90° and secured by a notched catch (when locking pin should not overhang).

**More information**

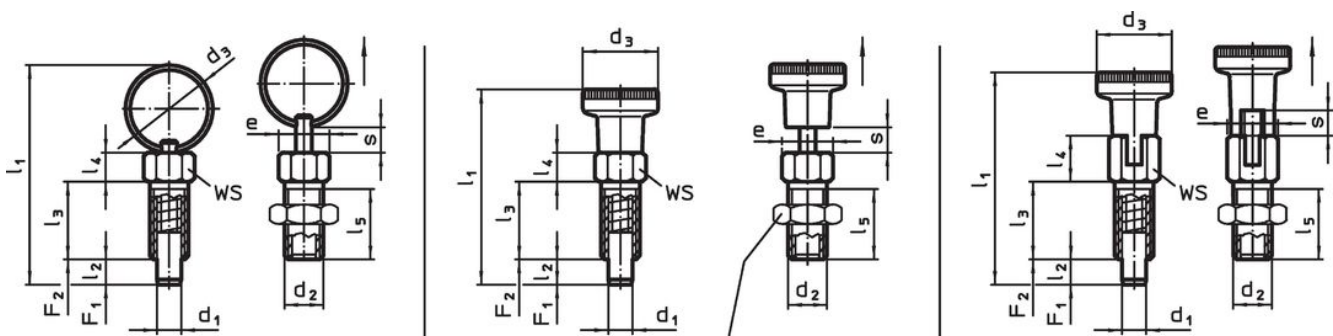
**Notes**

Lock nuts have to be purchased separately.  
Knob not removable.

**Further products**

- Locating Bushings, for index bolts and index plungers

**Drawing**



lock nut  
22120.0704 - .0708 (Steel)  
22120.0714 - .0718 (Stainless steel)

picture 1

picture 2


picture 3

### Order information

Dimensions											WS [mm]	Tightening torque max. [Nm]	Spring load <sup>1)</sup> [N]		Temperature [°C]		Weight [g]	Art. No.
d <sub>1</sub>	d <sub>2</sub>	d <sub>3</sub>	e	l <sub>1</sub>	l <sub>2</sub> min.	l <sub>3</sub>	l <sub>4</sub>	l <sub>5</sub>	s min.	F <sub>1</sub> ~			F <sub>2</sub> ~	min.	max.			
-0.05																		
with knob, without locking – picture 2, Steel																		
4	M6	12	6.9	30.5	4	12	4.5	10	4	6	2	3	12	-30	80	3.8	22120.0744	

<sup>1)</sup> statistical average value

### Accessories

	Dimensions d <sub>2</sub> [mm]	Wrench size [mm]	Weight [g]	Art. No.
Steel				
	M 6	10	1.3	22120.0704

### Application example



### Compliance

#### RoHS compliant

Contains lead - compliant according to exceptions 6a / 6b / 6c.

#### Contains SVHC substances >0,1% w/w

Contains lead - SVHC list [REACH] as of 23.01.2024.

#### Contains Proposition 65 substances



Lead can cause cancer and reproductive harm from exposure  
<https://www.P65Warnings.ca.gov/>

#### Free from Conflict Minerals

This product does not contain any substances designated as "conflict minerals" such as tantalum, tin, gold or tungsten from the Democratic Republic of Congo or adjacent countries.