

**Index Bolts**  
22120.0332



**Product Description**

Index bolts are used for indexing purposes. Plastic cover for grip allows better handling.

**Material**

**Body**

- Stainless steel 1.4305

**Locking pin**

- Stainless steel 1.4305, nickel-plated

**Catch**

- Dry powdered metal 1.4404

**Operation**

By turning the index bolt 180° the locking pin will be pulled-in and secured by a notched catch (when locking pin should not overhang).

**More information**

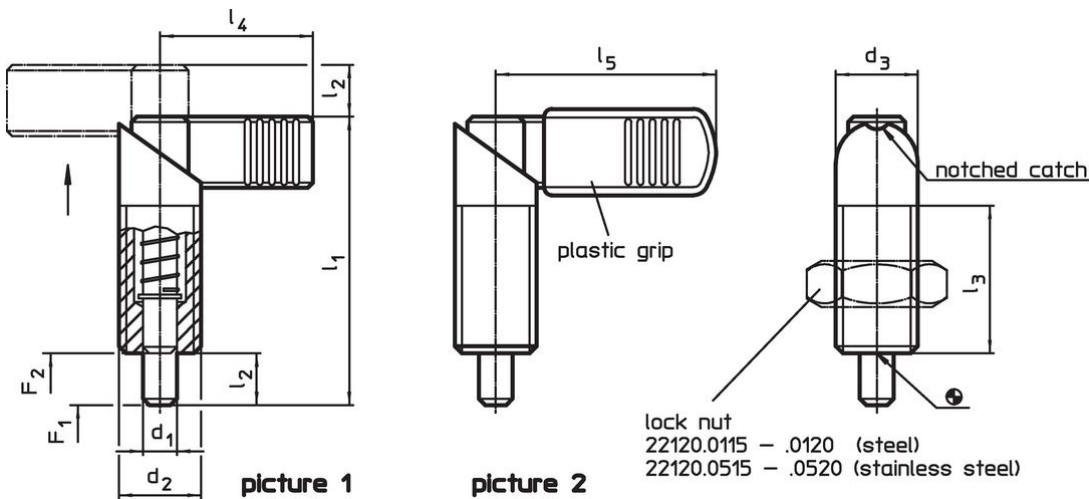
**Notes**

Lock nuts have to be purchased separately.

**Further products**

- Mounting Blocks, for index bolts and index plungers, die-cast
- Locating Bushings, for index bolts and index plungers
- Mounting Blocks, for index bolts and index plungers

**Drawing**





**Order information**

Dimensions							Spring load <sup>1)</sup>		max.		Art. No.
d <sub>1</sub>	d <sub>2</sub>	d <sub>3</sub>	l <sub>1</sub>	l <sub>2</sub>	l <sub>3</sub>	l <sub>4</sub>	F <sub>1</sub>	F <sub>2</sub>			
-0.02							~	~			
-0.04											
[mm]							[N]		[°C]	[g]	
<b>without plastic cover for grip – picture 1, Stainless steel</b>											
12	M20 x 1,5	20	69	12	36	37	21	57.5	250	127	22120.0332

<sup>1)</sup> statistical average value

Accessories

	Dimensions d <sub>2</sub> [mm]	Wrench size [mm]	 [g]	Art. No.
<b>Lock nuts ISO 8675 (DIN 439), Stainless steel</b>				
	M20 x 1,5	30	32.0	22120.0520

Compliance

**RoHS compliant**

Compliant according to Directive 2011/65/EU and Directive 2015/863.

**Does not contain SVHC substances**

No SVHC substances with more than 0.1% w/w contained - SVHC list [REACH] as of 23.01.2024.

**Does not contain Proposition 65 substances**

No Proposition 65 substances included.  
<https://www.P65Warnings.ca.gov/>

**Free from Conflict Minerals**

This product does not contain any substances designated as "conflict minerals" such as tantalum, tin, gold or tungsten from the Democratic Republic of Congo or adjacent countries.