

## Index Plungers · with hexagon collar and locking

### 22120.0206



#### Product Description

Index plungers are used for indexing bores.

#### Material

##### Body

- Free cutting steel, blackened

##### Locking pin

- Steel, hardened

##### Knob

- Thermoplastic PA 6, black, dull

#### Assembly

The screw length can be adapted by distance collars for index plungers (EH 22120.).

#### Operation

The knob is pulled-out, turned 90° and secured by a notched catch (when locking pin should not overhang).

#### More information

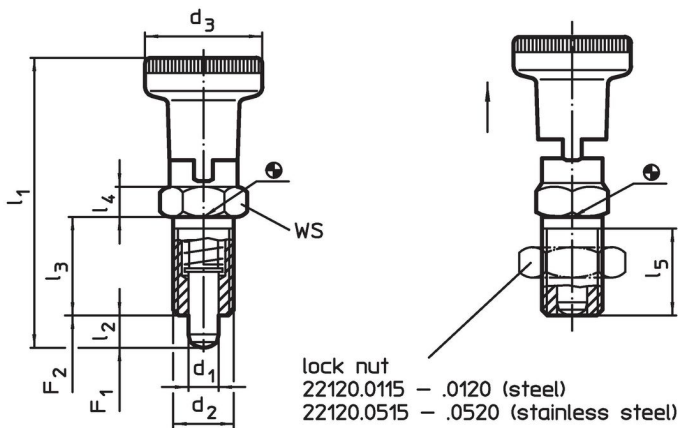
#### Notes

Knob not removable.  
Lock nuts have to be purchased separately.

#### Further products

- Mounting Blocks, for index bolts and index plungers, die-cast
- Locating Bushings, for index bolts and index plungers
- Distance Collars, for index plungers

#### Drawing





#### Order information

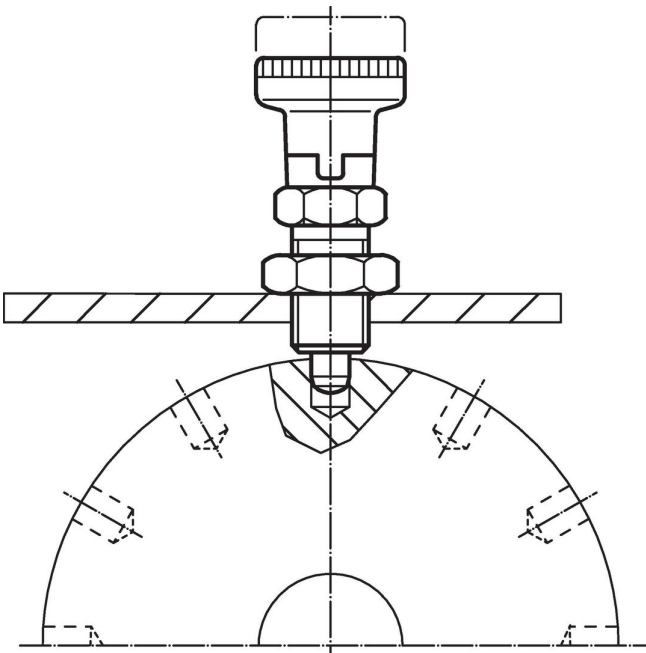
Dimensions								WS	Spring load <sup>1)</sup>		Temperature		Weight	Art. No.
d <sub>1</sub>	d <sub>2</sub>	d <sub>3</sub>	l <sub>1</sub>	l <sub>2</sub>	l <sub>3</sub>	l <sub>4</sub>	l <sub>5</sub>		F <sub>1</sub>	F <sub>2</sub>	min.	max.		
-0.02 -0.05			~	min.			min.	~	~					
													[g]	
<b>Free cutting steel</b>														
6	M12 x 1,5	25	61	6	20	6	17	14	6.5	19	-30	80	36	22120.0206

<sup>1)</sup> statistical average value

## Accessories

	Dimensions d <sub>2</sub> [mm]	Wrench size [mm]	 [g]	Art. No.
<b>Lock nuts ISO 8675 (DIN 439), Steel</b>				
	M12 x 1,5	18	7.5	22120.0116

## Application example



## Compliance

### RoHS compliant

Contains lead - compliant according to exceptions 6a / 6b / 6c.

### Contains SVHC substances >0,1% w/w

Contains lead - SVHC list [REACH] as of 23.01.2024.

### Contains Proposition 65 substances



Lead can cause cancer and reproductive harm from exposure  
<https://www.P65Warnings.ca.gov/>

### Free from Conflict Minerals

This product does not contain any substances designated as "conflict minerals" such as tantalum, tin, gold or tungsten from the Democratic Republic of Congo or adjacent countries.