

## Index Plungers Mini Indexes · with mounting flange

22110.1315



### Product Description

Index plungers are used for indexing bores.  
Performance in the smallest space requirements.

#### Material

##### Flange

- Zinc die-cast, zinc-plated by galvanization

##### Locking pin

- Stainless steel 1.4305

##### Knob

- Thermoplastic PA 6, black, dull

#### Operation

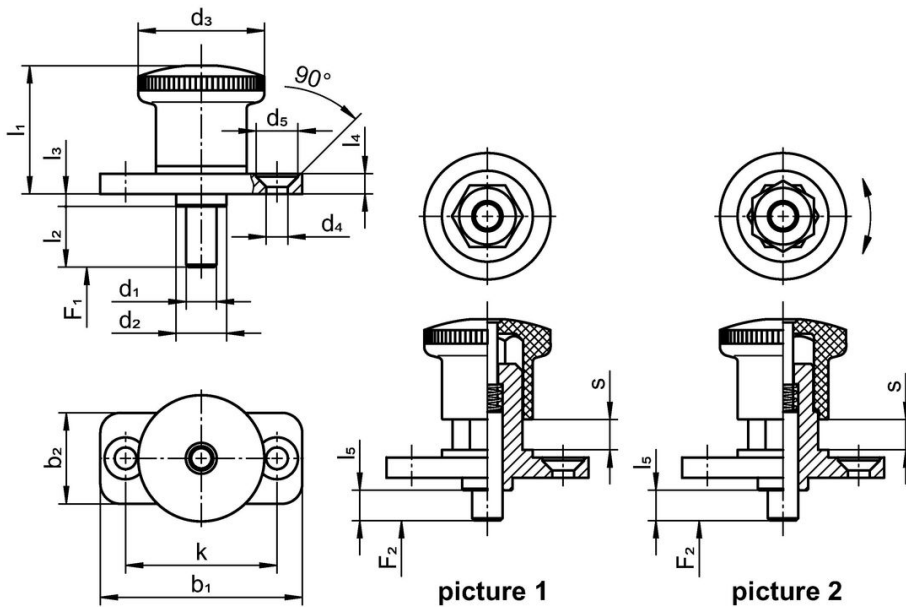
When using the self-locking type the knob is pulled-out, turned 30° and secured by a notched catch.

#### More information

#### Notes

Knob not removable.

### Drawing



### Order information

Dimensions													Spring load <sup>1)</sup>		Temperature		Weight [g]	Art. No.
$d_1$ h9	$l_2$	$b_1$	$b_2$	$d_2$	$d_3$	$d_4$	$k$	$l_1$	$l_3$	$l_4$	$l_5$	$s$	$F_1$ ~ [N]	$F_2$ ~ [N]	min. [°C]	max. [°C]		
with locking – picture 2																		
5	6	40	18	10	25	4.3	30	25.5	2.5	4	0	6	6	16	-30	80	38	22110.1315

<sup>1)</sup> statistical average value

## Compliance

### RoHS compliant

Compliant according to Directive 2011/65/EU and Directive 2015/863.

### Does not contain SVHC substances

No SVHC substances with more than 0.1% w/w contained - SVHC list [REACH] as of 23.01.2024.

### Does not contain Proposition 65 substances

No Proposition 65 substances included.

<https://www.P65Warnings.ca.gov/>

### Free from Conflict Minerals

This product does not contain any substances designated as "conflict minerals" such as tantalum, tin, gold or tungsten from the Democratic Republic of Congo or adjacent countries.