

Holders • for spring plungers  
 22082.0008



**Product Description**

Holders are used to mount spring plungers, smooth, with collar (EH 22080) on the side.

**Material**

- Zinc die-cast, nickel-plated

**Assembly**

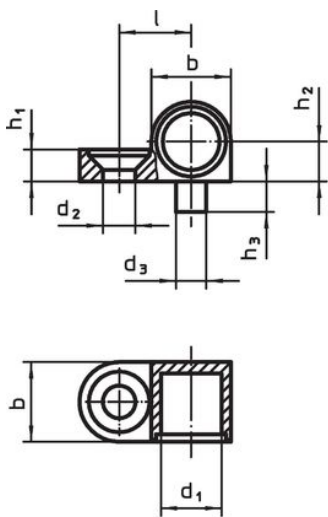
The left and right hand versions (picture 1 / picture 3) are attached using only one screw, and are also provided with an anti-turn locking device.

**More information**

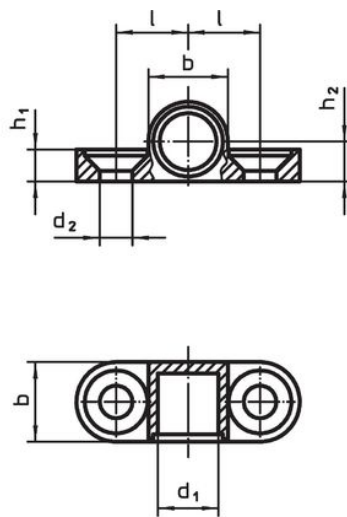
**References**

Suitable for spring plungers, smooth, with collar and ball (EH 22080.)

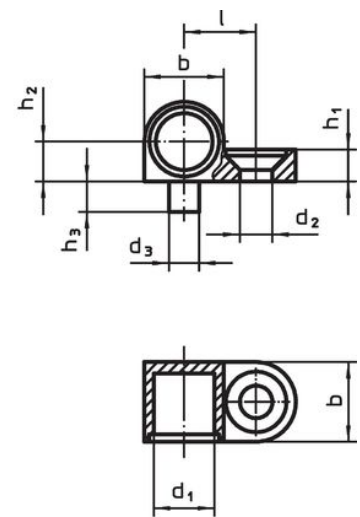
**Drawing**



picture 1




picture 2

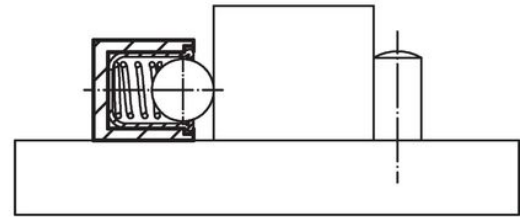


picture 3

**Order information**

Dimensions								Suitable screw		Art. No.
d <sub>1</sub>	d <sub>2</sub>	d <sub>3</sub> -0.05	b	h <sub>1</sub>	h <sub>2</sub> ±0.05	h <sub>3</sub>	l ±0.05	[mm]	[g]	
left – picture 1										
8	4.3	4	10.5	4.2	5.25	4	9.5	M4	5.3	22082.0008

## Application example



## Compliance

### RoHS compliant

Contains lead - compliant according to exceptions 6a / 6b / 6c.

### Contains SVHC substances >0,1% w/w

Contains lead - SVHC list [REACH] as of 23.01.2024.

### Contains Proposition 65 substances



Lead can cause cancer and reproductive harm from exposure  
<https://www.P65Warnings.ca.gov/>

### Free from Conflict Minerals

This product does not contain any substances designated as "conflict minerals" such as tantalum, tin, gold or tungsten from the Democratic Republic of Congo or adjacent countries.