

Spring Plungers • smooth, with collar and ball  
22080.2008



**Product Description**

Spring plungers can be used for locating or for applying pressure, as a detent or for ejection.

**Material**

**Body**

- Stainless steel 1.4303

**Ball**

- Stainless steel, hardened

**Spring**

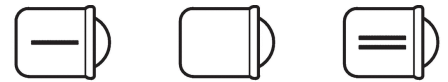
- Stainless steel

**Assembly**

A tolerance of H7 is recommended for the locating hole of  $d_1$ .

**Characteristic**

Heavy spring load: marked with two lines



Light spring load

Standard spring load

Heavy spring load

**More information**

**Notes**

Special types on request.

Spring plungers are specially tested for spring range and forces.

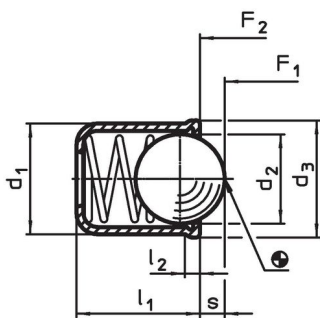
**References**

Calculation of indexing resistance, please refer to appendix - Technical Data - Version with higher spring forces see "EH 22080. Spring Plungers, smooth, long, with collar and ball".

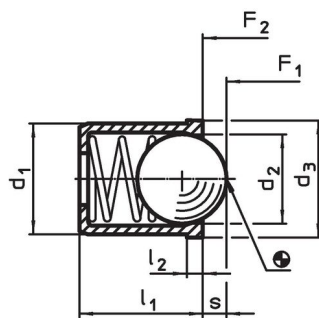
**Further products**

- Spring Plungers, with collar and ball, front slot
- Spring Plungers, smooth, long, with collar and ball
- Spring Plungers, smooth, with collar and ball, self-clamping
- Holders, for spring plungers

**Drawing**



picture 1



picture 2

**Order information**

Dimensions					Stroke s [mm]	Spring load <sup>1)</sup>		max. [°C]	Location hole H7 [mm]	[g]	Art. No.
d <sub>1</sub> +0.1	d <sub>2</sub>	d <sub>3</sub>	l <sub>1</sub>	l <sub>2</sub>		F <sub>1</sub> ~ [N]	F <sub>2</sub> ~ [N]				
body and ball from stainless steel, reinforced spring load – picture 1											
8	6.5	8.5	9	1.1	2.4	11	25	250	8	2.2	22080.2008

<sup>1)</sup> statistical average value

## Application example



## Compliance

### RoHS compliant

Compliant according to Directive 2011/65/EU and Directive 2015/863.

### Does not contain SVHC substances

No SVHC substances with more than 0.1% w/w contained - SVHC list [REACH] as of 23.01.2024.

### Does not contain Proposition 65 substances

No Proposition 65 substances included.

<https://www.P65Warnings.ca.gov/>

### Free from Conflict Minerals

This product does not contain any substances designated as "conflict minerals" such as tantalum, tin, gold or tungsten from the Democratic Republic of Congo or adjacent countries.