

## Spring Plungers • smooth, without collar

22080.0356



### Product Description

Spring plungers can be used for locating or for applying pressure, as a detent or for ejection.

#### Material

##### Body

- Stainless steel 1.4305

##### Ball

- Stainless steel, hardened

##### Spring

- Stainless steel

#### Assembly

The locating hole has to be adapted to each individual application case. We recommend an F8 size location hole for easy assembly and a H9 size when tight fit is required.

#### Characteristic

Heavy spring load: marked with two lines



Standard spring load



Heavy spring load

#### More information

#### Notes

Special types on request.  
Spring plungers are specially tested for spring range and forces.

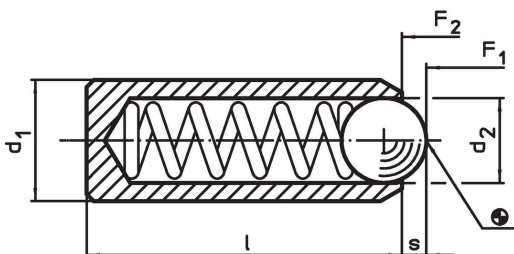
#### References

Calculation of indexing resistance, please refer to appendix - Technical Data -

#### Further products

- Spring Plungers, smooth, without collar, with moveable ball

### Drawing

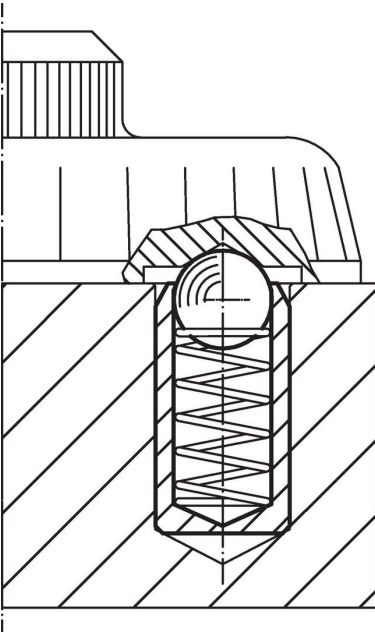


### Order information

Dimensions			Stroke s [mm]	Spring load <sup>1)</sup>		max. [°C]	Location hole joint connection F8 / press fit H9 [mm]	[g]	Art. No.
d <sub>1</sub> ±0.04 [mm]	d <sub>2</sub> [mm]	l [mm]		F <sub>1</sub> ~ [N]	F <sub>2</sub> ~ [N]				
stainless steel, heavy spring load									
2	1	3.5	0.3	1.3	2.2	250	2	0.1	22080.0356

<sup>1)</sup> statistical average value

## Application example



## Compliance

### RoHS compliant

Compliant according to Directive 2011/65/EU and Directive 2015/863.

### Does not contain SVHC substances

No SVHC substances with more than 0.1% w/w contained - SVHC list [REACH] as of 23.01.2024.

### Does not contain Proposition 65 substances

No Proposition 65 substances included.

<https://www.P65Warnings.ca.gov/>

### Free from Conflict Minerals

This product does not contain any substances designated as "conflict minerals" such as tantalum, tin, gold or tungsten from the Democratic Republic of Congo or adjacent countries.