

Spring Plungers • with collar and ball, front slot

22075.0412



Product Description

Spring plungers can be used for locating or for applying pressure, as a detent or for ejection. This spring plunger is characterised by the collar with front slot. This makes it suitable for applications that require a flat surface when screwed in.

Material

Body

- Stainless steel 1.4305

Ball

- Stainless steel, hardened

Spring

- Stainless steel

More information

Notes

Special types on request.
Spring plungers are specially tested for spring range and forces.

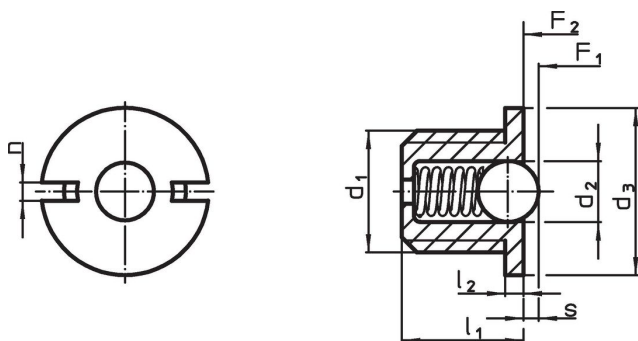
References

Thread lock on request, please refer to appendix - Technical Data -
Calculation of indexing resistance, please refer to appendix - Technical Data -

Further products

- Spring Plungers, smooth, with collar and ball

Drawing

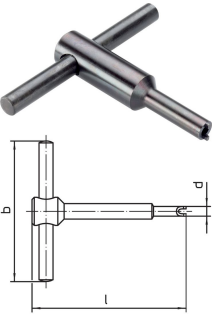


Order information

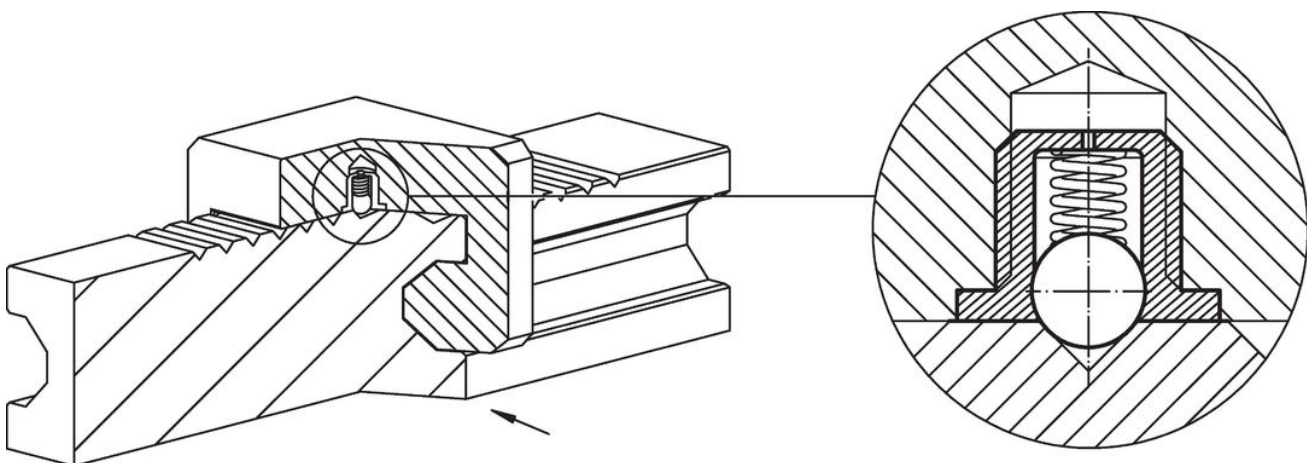
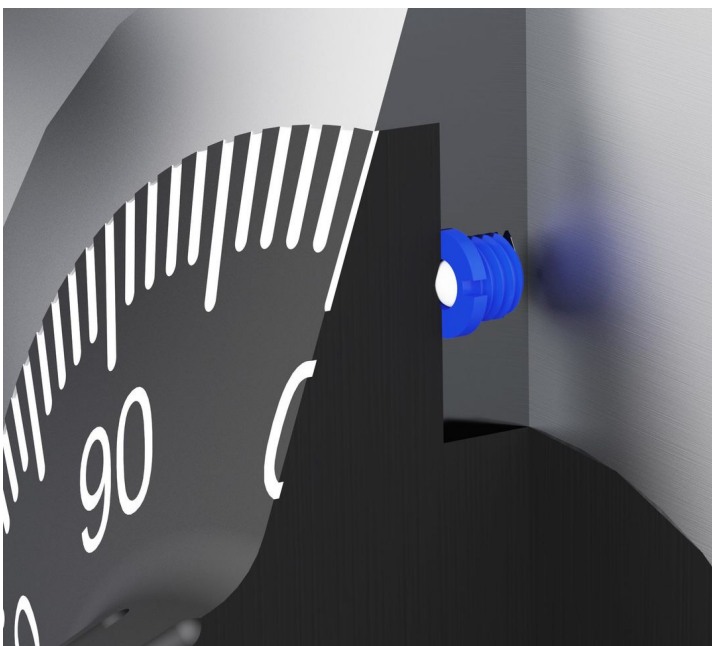
| Dimensions | | | | | | Stroke s +0.1 -0.1 [mm] | Spring load ¹⁾ | | max. [°C] | [g] | Art. No. |
|--|----------------|------------------------|----------------|------------------------|-----|-------------------------------------|---------------------------|---------------------|--------------|-----|------------|
| d ₁ | d ₂ | d ₃ -0.1 | l ₁ | l ₂ -0.1 | n | | F ₁ ~ | F ₂ ~ | | | |
| [mm] | | | | | | | [N] | | | | |
| body and ball from stainless steel, standard spring load | | | | | | | | | | | |
| M12 | 8 | 14 | 11.5 | 1.5 | 2.7 | 2.4 | 10.8 | 22.3 | 250 | 6.1 | 22075.0412 |

¹⁾ statistical average value

Accessories

| | Dimensions | | | | [g] | Art. No. |
|---|----------------|----|------|----|-----|------------|
| | d ₁ | b | d | l | | |
| [mm] | | | | | | |
| assembly tool | | | | | | |
|  | M12 | 80 | 13.7 | 80 | 127 | 22075.0912 |

Application example



Compliance

RoHS compliant

Compliant according to Directive 2011/65/EU and Directive 2015/863.

Does not contain SVHC substances

No SVHC substances with more than 0.1% w/w contained - SVHC list [REACH] as of 23.01.2024.

Does not contain Proposition 65 substances

No Proposition 65 substances included.

<https://www.P65Warnings.ca.gov/>

Free from Conflict Minerals

This product does not contain any substances designated as "conflict minerals" such as tantalum, tin, gold or tungsten from the Democratic Republic of Congo or adjacent countries.