

## Spring Plungers · with internal hexagon

### 22060.0605



#### Product Description

Spring plungers can be used for locating or for applying pressure, as a detent or for ejection.

#### Material

- Pin**
- Thermoplastic POM, white
- Body**
- Stainless steel 1.4305
- Spring**
- Stainless steel

#### Assembly

Spring plungers can be mounted and removed by means of the slot or internal hexagon. Please use a special assembly tool for mounting with a slot (pin side).

#### Characteristic

Standard spring load: no marking



Standard spring load



Heavy spring load

#### More information

#### Notes

Special types on request.  
Spring plungers are specially tested for spring range and forces.

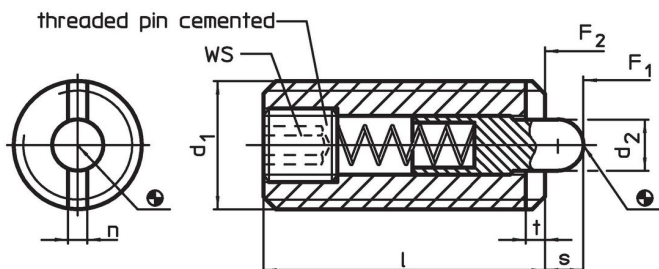
#### References

Thread lock on request, please refer to appendix - Technical Data -

#### Further products

- Spring Plungers, with internal hexagon and seal

#### Drawing

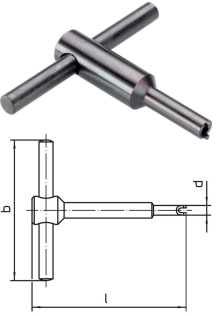


#### Order information

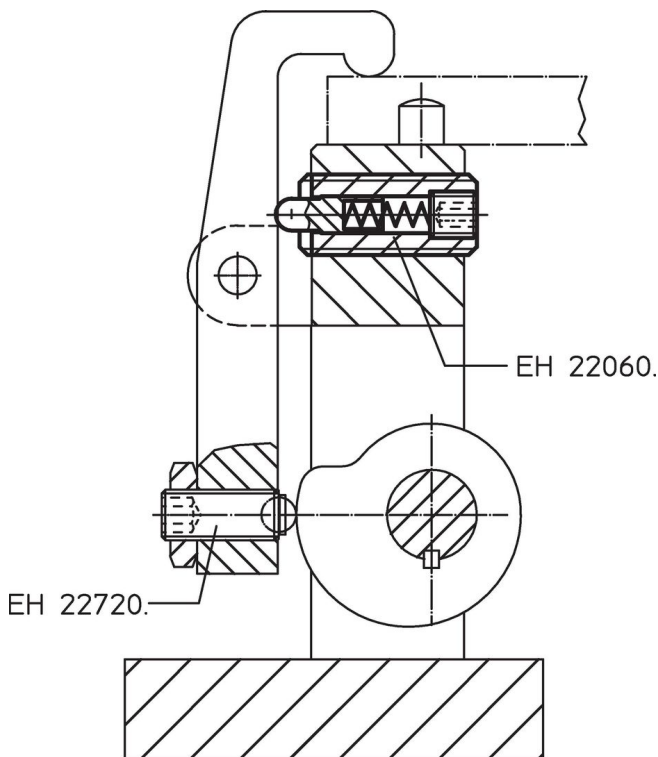
Dimensions					WS	Stroke s	Spring load <sup>1)</sup>		Temperature		Weight [g]	Art. No.
d <sub>1</sub>	d <sub>2</sub>	l	n	t			F <sub>1</sub> ~	F <sub>2</sub> ~	min.	max.		
[mm]					[mm]	[mm]	[N]	[°C]		[g]		
stainless steel, pin from thermoplastic, standard spring load												
M5	2.4	18	1.2	0.8	1.5	2.3	6	20	-30	50	1.6	22060.0605

<sup>1)</sup> statistical average value

Accessories

	Dimensions				[g]	Art. No.
	d <sub>1</sub>	b	d	l		
[mm]						
<b>Assembly Tool for mounting via slot (pin sided)</b>						
	M 5	50	4.00	60	21	22060.0905

Application example



Compliance

**RoHS compliant**

Compliant according to Directive 2011/65/EU and Directive 2015/863.

**Does not contain SVHC substances**

No SVHC substances with more than 0.1% w/w contained - SVHC list [REACH] as of 23.01.2024.

**Does not contain Proposition 65 substances**

No Proposition 65 substances included.

<https://www.P65Warnings.ca.gov/>

**Free from Conflict Minerals**

This product does not contain any substances designated as "conflict minerals" such as tantalum, tin, gold or tungsten from the Democratic Republic of Congo or adjacent countries.