

Spring Plungers · with pin and slot

22050.0112



Product Description

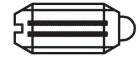
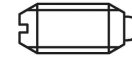
Spring plungers can be used for locating or for applying pressure, as a detent or for ejection.

Material

- Pin**
- Free cutting steel, hardened, blackened
- Body**
- Free cutting steel, blackened
- Spring**
- Stainless steel

Characteristic

Standard spring load: no marking



Standard spring load

Heavy spring load

More information

Notes

Special types on request.
Spring plungers are specially tested for spring range and forces.

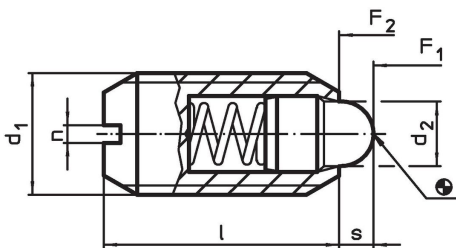
References

Thread lock on request, please refer to appendix - Technical Data -

Further products

- Holders, for spring plungers
- Spring Plungers, with pin and slot - INCH

Drawing

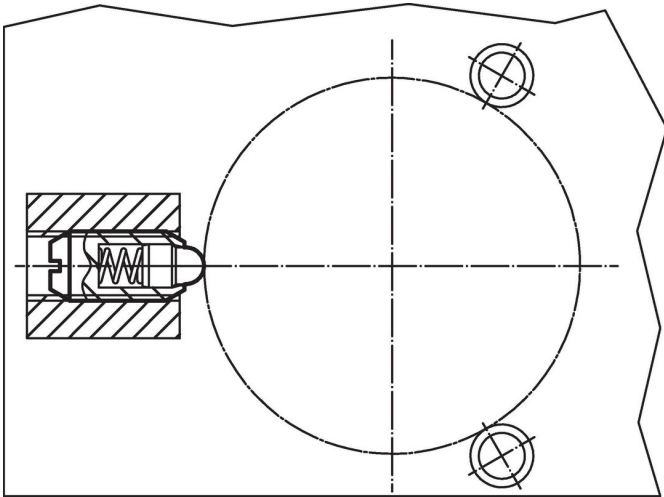


Order information

d ₁	Dimensions			n	Stroke s [mm]	Spring load ¹⁾		max. [°C]	[g]	Art. No.
	d ₂	l	[mm]			F ₁ ~ [N]	F ₂ ~ [N]			
free cutting steel, standard spring load										
M12	6.2	22		2	3.5	22	57	250	11	22050.0112

¹⁾ statistical average value

Application example



Compliance

RoHS compliant

Contains lead - compliant according to exceptions 6a / 6b / 6c.

Contains SVHC substances >0,1% w/w

Contains lead - SVHC list [REACH] as of 27.06.2024.

Contains Proposition 65 substances



Lead can cause cancer and reproductive harm from exposure
<https://www.P65Warnings.ca.gov/>

Free from Conflict Minerals

This product does not contain any substances designated as "conflict minerals" such as tantalum, tin, gold or tungsten from the Democratic Republic of Congo or adjacent countries.