

Clamping Angles · semi-finished  
1906.810



Product Description

Material

- Grey cast iron GG

More information

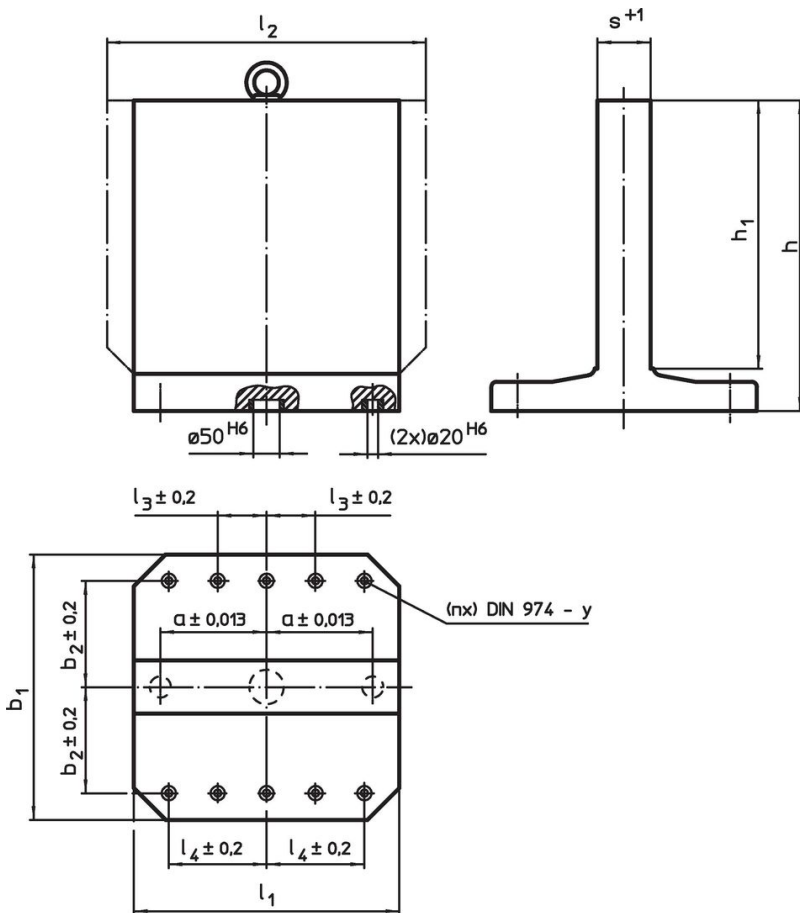
Notes

Special plates on request.


Further products

- Threaded Lifting Pins, self-locking

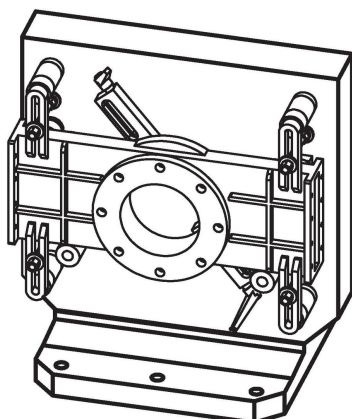
Drawing



Order information

$b_1 \times l_1$	$h_1$	$h$	Dimensions					$y$	For screws	Number of fastening holes $n$	 [kg]	Art. No.
			$a$ $\pm 0.013$ [mm]	$b_2$ $\pm 0.2$	$l_3$ $\pm 0.2$	$l_4$ $\pm 0.2$	$s$ $+1$					
800 x 800	800	910	300	300	100	300	151	16	M16	8	805	1906.810

## Application example



## Compliance

### RoHS compliant

Contains lead - compliant according to exceptions 6a / 6b / 6c.

### Contains SVHC substances >0,1% w/w

Contains lead - SVHC list [REACH] as of 23.01.2024.

### Contains Proposition 65 substances



Lead can cause cancer and reproductive harm from exposure  
<https://www.P65Warnings.ca.gov/>

### Free from Conflict Minerals

This product does not contain any substances designated as "conflict minerals" such as tantalum, tin, gold or tungsten from the Democratic Republic of Congo or adjacent countries.