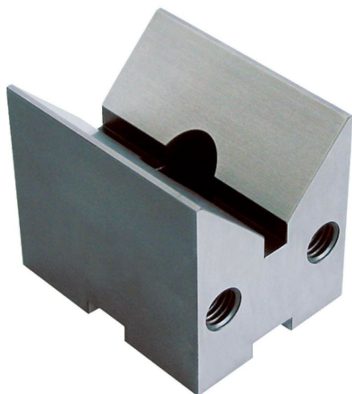


V-Blocks
1048.500

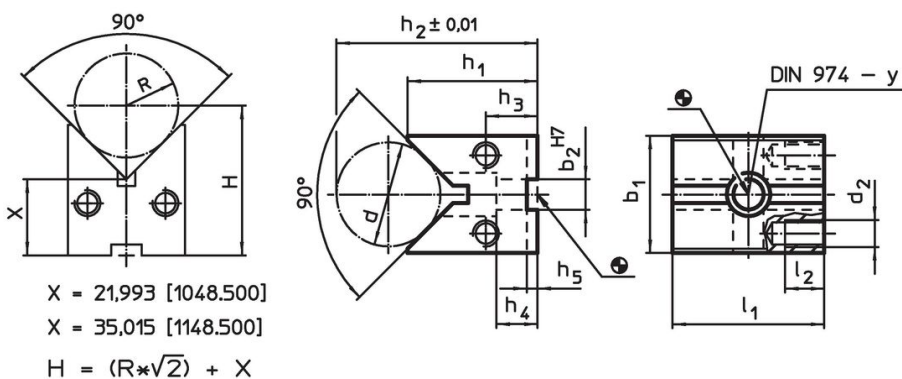


Product Description

Material

- Steel, case-hardened, ground

Drawing



Order information

System	Dimensions													For screws	y		Art. No.
	l_1	b_1	b_2	h_1	h_2	h_3	h_4	h_5	l_2	d	d_2	d min.	d max.				
V40	40	32	10	36	48.55	14.5	13	2.6	10	22	M8	8	35	M6	6	262	1048.500

Compliance

RoHS compliant

Compliant according to Directive 2011/65/EU and Directive 2015/863.

Does not contain SVHC substances

No SVHC substances with more than 0.1% w/w contained - SVHC list [REACH] as of 23.01.2024.

Does not contain Proposition 65 substances

No Proposition 65 substances included.
<https://www.P65Warnings.ca.gov/>

Free from Conflict Minerals

This product does not contain any substances designated as "conflict minerals" such as tantalum, tin, gold or tungsten from the Democratic Republic of Congo or adjacent countries.