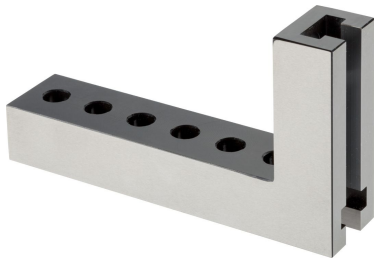


Slotted Clamping Angles

1012.200

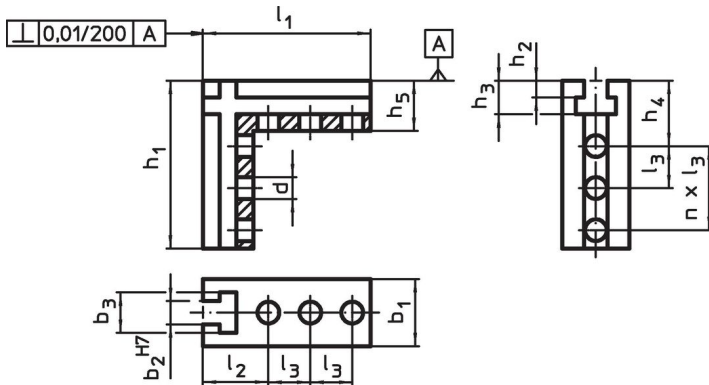


Product Description

Material

- Steel, case-hardened, ground

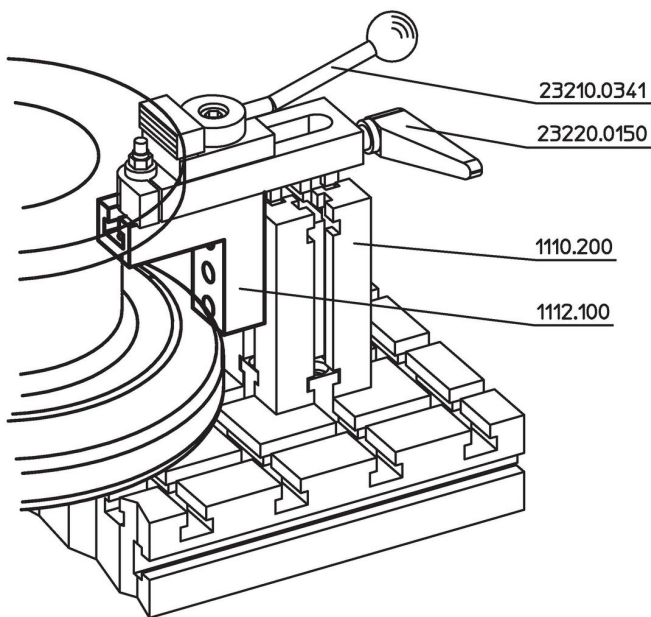
Drawing



Order information

System	Dimensions												Amount n	[g]	Art. No.
	b ₁	h ₁	l ₁	l ₂	l ₃	b ₂	b ₃	h ₂	h ₃	h ₄	h ₅	d			
V40	25	105	63	29	26	10	18	6.5	14.5	45	22	8.25	2	356	1012.200

Application example



Compliance

RoHS compliant

Compliant according to Directive 2011/65/EU and Directive 2015/863.

Does not contain SVHC substances

No SVHC substances with more than 0.1% w/w contained - SVHC list [REACH] as of 23.01.2024.

Does not contain Proposition 65 substances

No Proposition 65 substances included.

<https://www.P65Warnings.ca.gov/>

Free from Conflict Minerals

This product does not contain any substances designated as "conflict minerals" such as tantalum, tin, gold or tungsten from the Democratic Republic of Congo or adjacent countries.