

Lateral Plungers • smooth, with seal - INCH EH 2B150.



Product Description

To be used for positioning and applying pressure, e.g. during painting and sandblasting. Sealed against chips and dirt.

Material

Seal

- CR

Body

- Aluminium Al

Spring

- Stainless steel
- Steel, blackened
- Steel, zinc-plated by galvanization

Pin

- Steel, case-hardened, zinc-plated by galvanization
- Thermoplastic POM, white

Assembly

Installation by pressing in.

Formula for calculating the center distance for the mounting hole:

$$l_0 = z/2 + w + x,$$

l_0 = center distance,

y = workpiece height,

w = workpiece length,

x = coordinate dimension,

s = stroke,

z = stop diameter

Calculation dimension x :

y greater than or equal to $l_2 - d_2/2$,

then $x = d_2/2 - s$

or

y smaller than $l_2 - d_2/2$,

then $x = d_2/2 - s - [(l_2 - d_2/2 - y) * 0,123]$

Characteristic

Version light spring load = spring from stainless steel

Version standard spring load = spring from steel, blackened

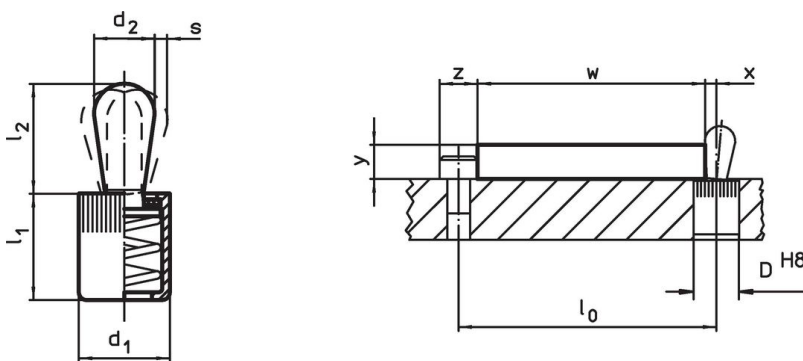
Version heavy spring load = spring from steel, zinc-plated by galvanization

More information

Further products

- Eccentric Mounting Bushings, for lateral plungers, smooth - INCH

Drawing




Order information

Dimensions		Spring load F max. ¹⁾ ~ [lb]	Dimensions		Stroke s [in]	Location hole D H8 [in]	x ²⁾ [in]	max. [°F]	[oz]	Art. No.
d ₁ [in]	d ₂ [in]		l ₁ -0.08 [in]	l ₂ [in]						
Pin: Steel/Light spring load										
1/4	0.118	2.2	0.275	0.157	0.020	1/4	0.035	230	0.024	2B150.0110
7/16	0.197	4.5	0.430	0.236	0.031	7/16	0.063	230	0.109	2B150.0120
7/16	0.236	9.0	0.430	0.393	0.039	7/16	0.071	230	0.138	2B150.0125
1/2	0.315	11.2	0.551	0.511	0.051	1/2	0.102	230	0.256	2B150.0130
5/8	0.393	22.5	0.708	0.646	0.063	5/8	0.126	230	0.574	2B150.0140
Pin: Steel/Standard spring load										
1/4	0.118	4.5	0.275	0.157	0.020	1/4	0.035	230	0.024	2B150.0111
7/16	0.197	11.2	0.430	0.236	0.031	7/16	0.063	230	0.117	2B150.0121
7/16	0.236	16.9	0.430	0.393	0.039	7/16	0.071	230	0.146	2B150.0126
1/2	0.315	22.5	0.551	0.511	0.051	1/2	0.102	230	0.275	2B150.0131
5/8	0.393	34.0	0.708	0.646	0.063	5/8	0.126	230	0.518	2B150.0141
Pin: Steel/Heavy spring load										
1/4	0.118	9.0	0.275	0.157	0.020	1/4	0.035	230	0.026	2B150.0112
7/16	0.197	21.5	0.430	0.236	0.031	7/16	0.063	230	0.123	2B150.0122
7/16	0.236	22.5	0.430	0.393	0.039	7/16	0.071	230	0.159	2B150.0127
1/2	0.315	34.0	0.551	0.511	0.051	1/2	0.102	230	0.288	2B150.0132
5/8	0.393	45.0	0.708	0.646	0.063	5/8	0.126	230	0.542	2B150.0142
Pin: Thermoplastic/Light spring load										
1/4	0.118	2.2	0.275	0.157	0.020	1/4	0.035	176	0.014	2B150.0150
7/16	0.197	4.5	0.430	0.236	0.031	7/16	0.063	176	0.064	2B150.0160
7/16	0.236	9.0	0.393	0.472	0.039	7/16	0.071	176	0.072	2B150.0165
1/2	0.315	11.2	0.551	0.531	0.051	1/2	0.102	176	0.114	2B150.0170
5/8	0.393	22.5	0.708	0.646	0.063	5/8	0.126	176	0.296	2B150.0180

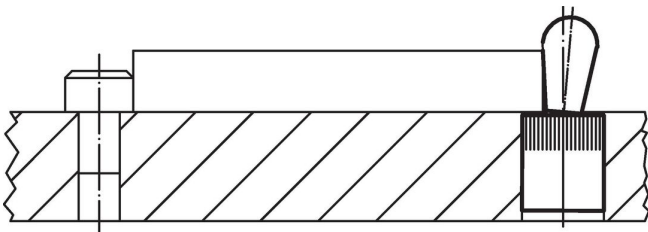
¹⁾ statistical average value

²⁾ If the workpiece height (y) is less than l₂-d₂/2, the coordinate dimension (x) must be calculated.

Accessories

	Dimensions d ₁ [in]	[oz]	Art. No.
assembly tool			
	1/4	0.678	22150.0830
	7/16	1.749	22150.0831
	1/2	2.321	22150.0832
	5/8	3.749	22150.0833

Application example



Compliance

For detailed compliance information please select the desired article number.