

Hinges • long version
EH 25165.



Product Description

The different versions cover many applications that require a low load.

These metal hinges are characterised by their simple design and the different versions:

- without bores
- with bores
- with bores for countersunk screws

The version without bores can be assembled by welding or by inserting a specific drilling pattern.

Material

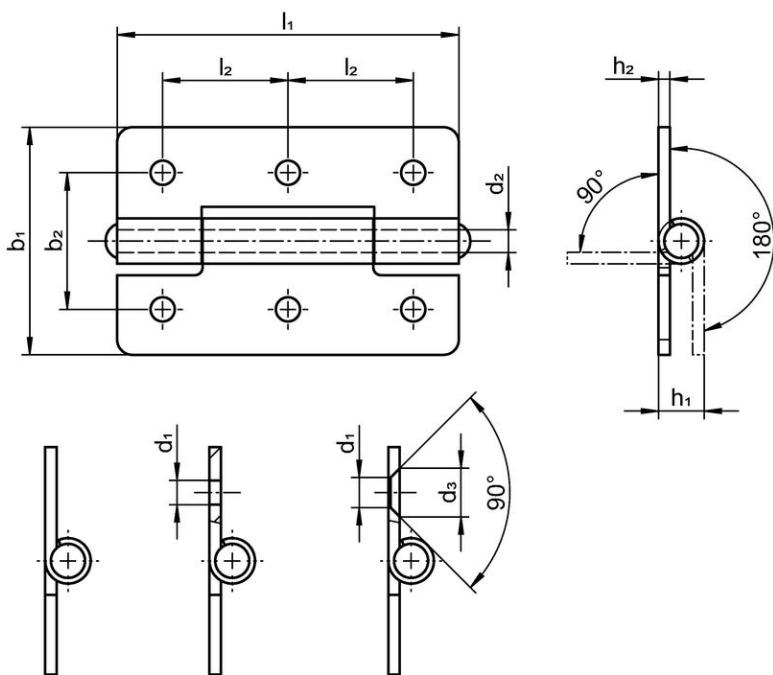
Body

- Stainless steel 1.4301
- Steel, zinc-plated by galvanization, passivated

Axis

- Stainless steel 1.4301

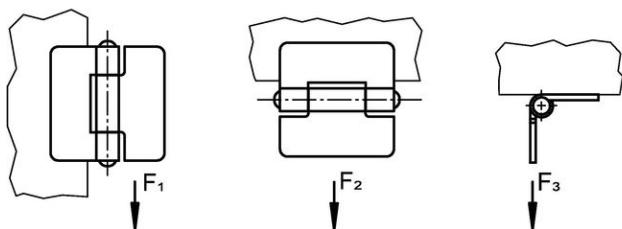
Drawing




picture 1

picture 2

picture 3



Order information

b ₁	l ₁	b ₂	Dimensions						Holding force				Art. No.	
			d ₁	d ₂	d ₃	h ₁	h ₂	l ₂	F ₁	F ₂	F ₃			
[mm]									[N]			[g]		
without bores – picture 1, Stainless steel														
30	45	–	–	3	–	6	1.5	–	1300	750	700	22	25165.0020	
40	60	–	–	4	–	8	2.0	–	2400	1500	1300	52	25165.0030	
50	75	–	–	6	–	10	2.0	–	2500	2250	1300	93	25165.0045	
60	90	–	–	6	–	10	2.0	–	3000	3000	1200	122	25165.0065	
with bores – picture 2, Stainless steel														
30	45	18	3.2	3	–	6	1.5	16.5	1300	750	700	21	25165.0120	
40	60	25	4.2	4	–	8	2.0	22.5	2400	1500	1300	51	25165.0130	
50	75	30	5.2	6	–	10	2.0	27.5	2500	2250	1300	90	25165.0145	
60	90	36	5.2	6	–	10	2.0	33.0	3000	3000	1200	121	25165.0165	
with bores – picture 2, Steel														
30	45	18	3.2	3	–	6	1.5	16.5	1300	750	700	21	25165.1020	
40	60	25	4.2	4	–	8	2.0	22.5	2400	1500	1300	51	25165.1030	
50	75	30	5.2	6	–	10	2.0	27.5	2500	2250	1300	90	25165.1045	
60	90	36	5.2	6	–	10	2.0	33.0	3000	3000	1200	121	25165.1065	
with bores for countersunk screws – picture 3, Stainless steel														
30	45	18	4.0	3	6.4	6	1.5	16.5	1300	750	700	21	25165.0220	
40	60	25	5.0	4	8.3	8	2.0	22.5	2400	1500	1300	51	25165.0230	
50	75	30	5.0	6	8.3	10	2.0	27.5	2500	2250	1300	90	25165.0245	
60	90	36	5.0	6	8.3	10	2.0	33.0	3000	3000	1200	121	25165.0265	
with bores for countersunk screws – picture 3, Steel														
30	45	18	4.0	3	6.4	6	1.5	16.5	1300	750	700	21	25165.2020	
40	60	25	5.0	4	8.3	8	2.0	22.5	2400	1500	1300	51	25165.2030	
50	75	30	5.0	6	8.3	10	2.0	27.5	2500	2250	1300	90	25165.2045	
60	90	36	5.0	6	8.3	10	2.0	33.0	3000	3000	1200	121	25165.2065	

Compliance

RoHS compliant

Compliant according to Directive 2011/65/EU and Directive 2015/863.

Does not contain SVHC substances

No SVHC substances with more than 0.1% w/w contained - SVHC list [REACH] as of 27.06.2024.

Does not contain Proposition 65 substances

No Proposition 65 substances included.

<https://www.P65Warnings.ca.gov/>

Free from Conflict Minerals

This product does not contain any substances designated as "conflict minerals" such as tantalum, tin, gold or tungsten from the Democratic Republic of Congo or adjacent countries.