

Hinges • elongated on both sides  
EH 25165.



**Product Description**

The different versions cover many applications that require a low load. These metal hinges are characterised by their simple design and the different versions:

- without bores
- with bores
- with bores for countersunk screws

The version without bores can be assembled by welding or by inserting a specific drilling pattern.

**Material**

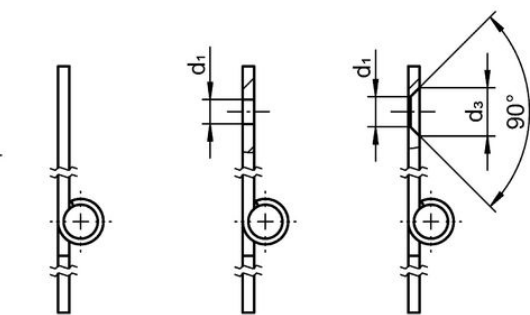
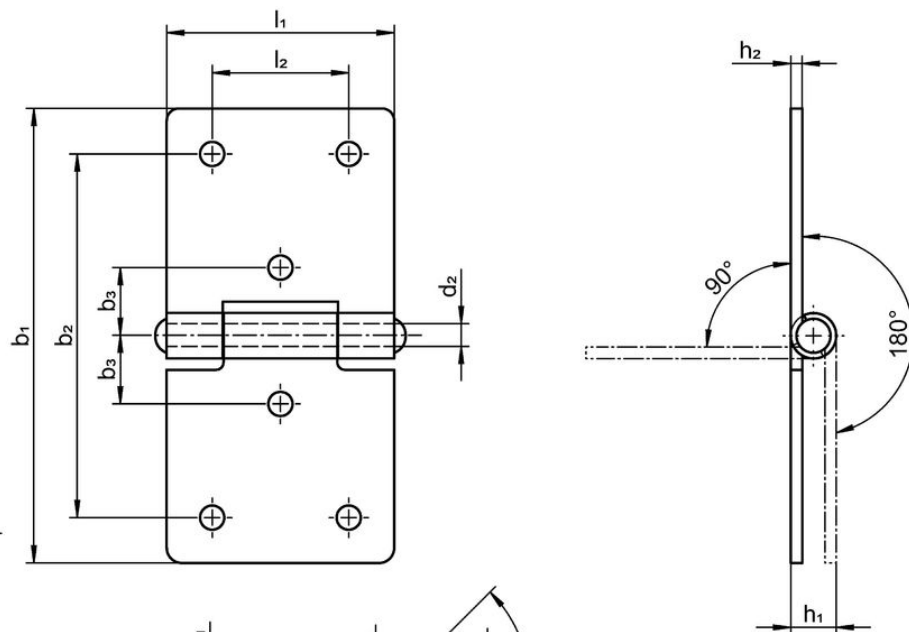
**Body**

- Stainless steel 1.4301
- Steel, zinc-plated by galvanization, passivated

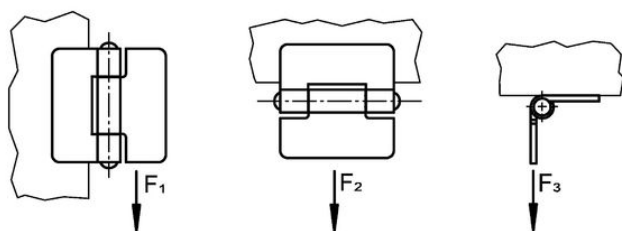
**Axis**

- Stainless steel 1.4301

**Drawing**



picture 1      picture 2      picture 3



## Order information

b <sub>1</sub>	l <sub>1</sub>	b <sub>2</sub>	b <sub>3</sub>	Dimensions						Holding force			[g]	Art. No.
				d <sub>1</sub>	d <sub>2</sub>	d <sub>3</sub>	h <sub>1</sub> ~	h <sub>2</sub>	l <sub>2</sub>	F <sub>1</sub> ~	F <sub>2</sub> ~	F <sub>3</sub> ~		
[mm]										[N]				
<b>without bores – picture 1, Stainless steel</b>														
60	30	–	–	–	3	–	6	1.5	–	700	500	450	25	<a href="#">25165.0050</a>
80	40	–	–	–	4	–	8	2.0	–	1200	1000	1000	59	<a href="#">25165.0075</a>
100	50	–	–	–	6	–	10	2.0	–	1200	1600	700	99	<a href="#">25165.0005</a>
120	60	–	–	–	6	–	10	2.0	–	1100	2500	1000	139	<a href="#">25165.0010</a>
<b>with bores – picture 2, Stainless steel</b>														
60	30	48	9.0	3.2	3	–	6	1.5	18	700	500	450	24	<a href="#">25165.0150</a>
80	40	65	12.5	4.2	4	–	8	2.0	25	1200	1000	1000	58	<a href="#">25165.0175</a>
100	50	80	15.0	5.2	6	–	10	2.0	30	1200	1600	700	98	<a href="#">25165.0105</a>
120	60	96	18.0	5.2	6	–	10	2.0	36	1100	2500	1000	136	<a href="#">25165.0110</a>
<b>with bores – picture 2, Steel</b>														
60	30	48	9.0	3.2	3	–	6	1.5	18	700	500	450	24	<a href="#">25165.1050</a>
80	40	65	12.5	4.2	4	–	8	2.0	25	1200	1000	1000	58	<a href="#">25165.1075</a>
100	50	80	15.0	5.2	6	–	10	2.0	30	1200	1600	700	98	<a href="#">25165.1005</a>
120	60	96	18.0	5.2	6	–	10	2.0	36	1100	2500	1000	136	<a href="#">25165.1010</a>
<b>with bores for countersunk screws – picture 3, Stainless steel</b>														
60	30	48	9.0	4.0	3	6.4	6	1.5	18	700	500	450	24	<a href="#">25165.0250</a>
80	40	65	12.5	5.0	4	8.3	8	2.0	25	1200	1000	1000	58	<a href="#">25165.0275</a>
100	50	80	15.0	5.0	6	8.3	10	2.0	30	1200	1600	700	98	<a href="#">25165.0205</a>
120	60	96	18.0	5.0	6	8.3	10	2.0	36	1100	2500	1000	136	<a href="#">25165.0210</a>
<b>with bores for countersunk screws – picture 3, Steel</b>														
60	30	48	9.0	4.0	3	6.4	6	1.5	18	700	500	450	24	<a href="#">25165.2050</a>
80	40	65	12.5	5.0	4	8.3	8	2.0	25	1200	1000	1000	58	<a href="#">25165.2075</a>
100	50	80	15.0	5.0	6	8.3	10	2.0	30	1200	1600	700	98	<a href="#">25165.2005</a>
120	60	96	18.0	5.0	6	8.3	10	2.0	36	1100	2500	1000	136	<a href="#">25165.2010</a>

## Compliance

## RoHS compliant

Compliant according to Directive 2011/65/EU and Directive 2015/863.

## Does not contain SVHC substances

No SVHC substances with more than 0.1% w/w contained - SVHC list [REACH] as of 23.01.2024.

## Does not contain Proposition 65 substances

No Proposition 65 substances included.

<https://www.P65Warnings.ca.gov/>

## Free from Conflict Minerals

This product does not contain any substances designated as "conflict minerals" such as tantalum, tin, gold or tungsten from the Democratic Republic of Congo or adjacent countries.