

Hinges • adjustable
EH 25161.



Product Description

Adjustable hinges can be positioned horizontally or vertically by moving the adjusting bushings in a form-fit and finely adjusted manner.

Material

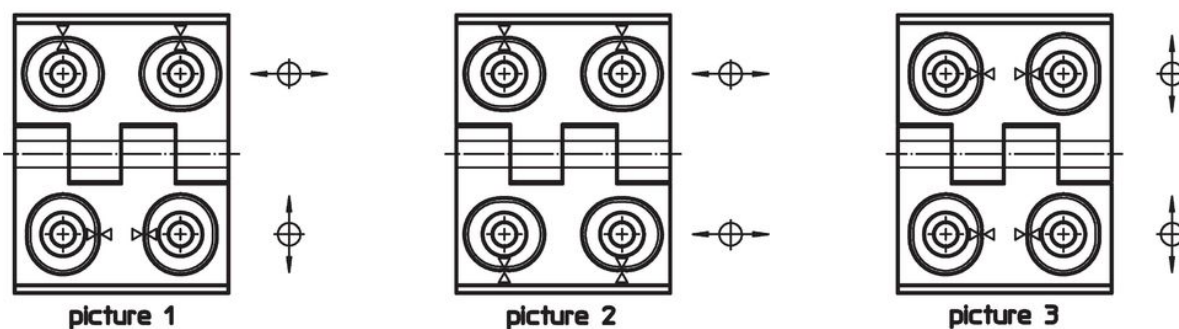
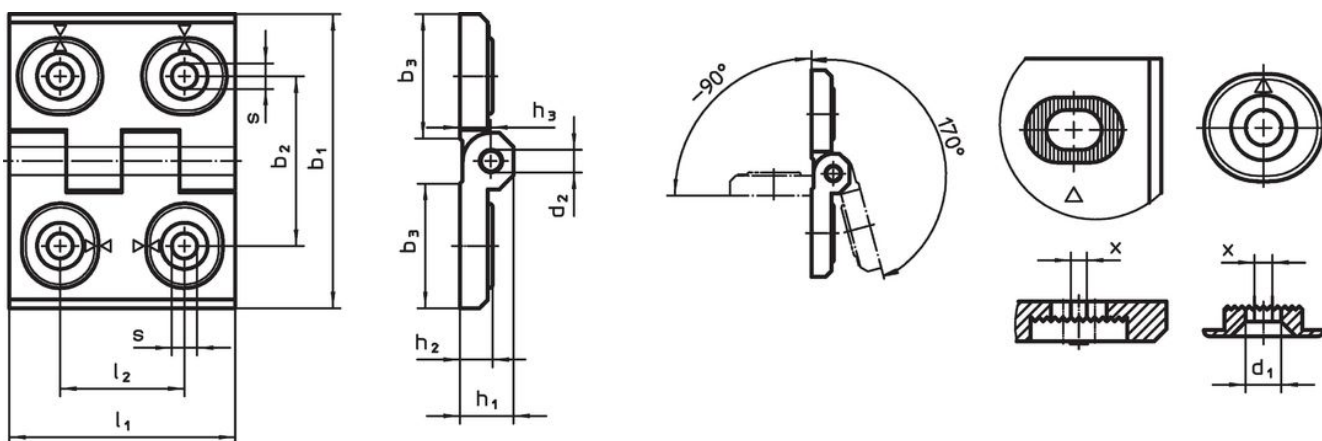
Body

- Stainless steel 1.4408, dull blasted
- Zinc die-cast, plastic coated, silver, similar to RAL 9006, matt structure
- Zinc die-cast, plastic coated, black, similar to RAL 9005, matt structure

Axis


- Stainless Steel

Drawing



Order information

Dimensions												Art. No.
b ₁	l ₁	b ₂	b ₃	d ₁	d ₂	h ₁	h ₂	h ₃	l ₂	x	[g]	
adjustable in width – picture 3, Stainless steel												
40	52	30	22.0	4.5	4	9.5	6	5.5	22	1.00	82	25161.0305
50	64	37	28.0	5.5	6	11.5	7	6.5	27	1.50	141	25161.0310
60	76	42	33.5	6.5	8	15.0	9	8.5	34	2.00	255	25161.0315
adjustable in height – picture 2, Stainless steel												
40	52	30	22.0	4.5	4	9.5	6	5.5	22	1.00	83	25161.0320
50	64	37	28.0	5.5	6	11.5	7	6.5	27	1.50	142	25161.0325
60	76	42	33.5	6.5	8	15.0	9	8.5	34	2.00	257	25161.0330

Dimensions											 [g]	Art. No.
b ₁	l ₁	b ₂	b ₃	d ₁	d ₂	h ₁	h ₂	h ₃	l ₂	x		
[mm]												
adjustable in height and width – picture 1, Stainless steel												
40	52	30	22.0	4.5	4	9.5	6	5.5	22	1.00	79	25161.0335
50	64	37	28.0	5.5	6	11.5	7	6.5	27	1.50	138	25161.0340
60	76	42	33.5	6.5	8	15.0	9	8.5	34	2.00	260	25161.0345
adjustable in width – picture 3, Zinc die-cast, silver												
40	52	30	22.0	4.5	4	9.5	6	5.5	22	0.50	82	25161.0105
50	64	37	28.0	5.5	6	11.5	7	6.5	27	0.75	141	25161.0110
60	76	42	33.5	6.5	8	15.0	9	8.5	34	1.00	255	25161.0115
adjustable in height – picture 2, Zinc die-cast, silver												
40	52	30	22.0	4.5	4	9.5	6	5.5	22	0.50	83	25161.0120
50	64	37	28.0	5.5	6	11.5	7	6.5	27	0.75	142	25161.0125
60	76	42	33.5	6.5	8	15.0	9	8.5	34	1.00	257	25161.0130
adjustable in height and width – picture 1, Zinc die-cast, silver												
40	52	30	22.0	4.5	4	9.5	6	5.5	22	0.50	79	25161.0135
50	64	37	28.0	5.5	6	11.5	7	6.5	27	0.75	138	25161.0140
60	76	42	33.5	6.5	8	15.0	9	8.5	34	1.00	260	25161.0145
adjustable in width – picture 3, Zinc die-cast, black												
40	52	30	22.0	4.5	4	9.5	6	5.5	22	0.50	82	25161.0205
50	64	37	28.0	5.5	6	11.5	7	6.5	27	0.75	141	25161.0210
60	76	42	33.5	6.5	8	15.0	9	8.5	34	1.00	255	25161.0215
adjustable in height – picture 2, Zinc die-cast, black												
40	52	30	22.0	4.5	4	9.5	6	5.5	22	0.50	83	25161.0220
50	64	37	28.0	5.5	6	11.5	7	6.5	27	0.75	142	25161.0225
60	76	42	33.5	6.5	8	15.0	9	8.5	34	1.00	257	25161.0230
adjustable in height and width – picture 1, Zinc die-cast, black												
40	52	30	22.0	4.5	4	9.5	6	5.5	22	0.50	79	25161.0235
50	64	37	28.0	5.5	6	11.5	7	6.5	27	0.75	138	25161.0240
60	76	42	33.5	6.5	8	15.0	9	8.5	34	1.00	260	25161.0245

Compliance

RoHS compliant

Compliant according to Directive 2011/65/EU and Directive 2015/863.

Does not contain SVHC substances

No SVHC substances with more than 0.1% w/w contained - SVHC list [REACH] as of 23.01.2024.

Does not contain Proposition 65 substances

No Proposition 65 substances included.

<https://www.P65Warnings.ca.gov/>

Free from Conflict Minerals

This product does not contain any substances designated as "conflict minerals" such as tantalum, tin, gold or tungsten from the Democratic Republic of Congo or adjacent countries.