

Knurled Thumb Screws • plastic

EH 24830.



Product Description

Material

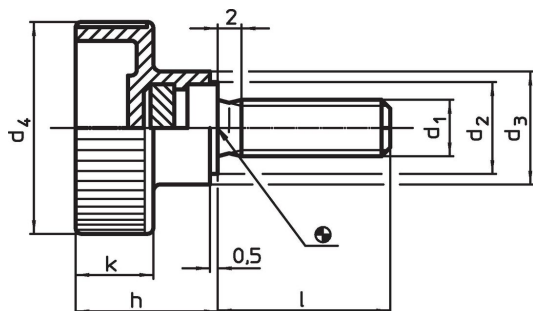
Handle

- Thermoplastic PA, black

Screw



- Steel, zinc-plated by galvanization
- Stainless steel 1.4567

Drawing

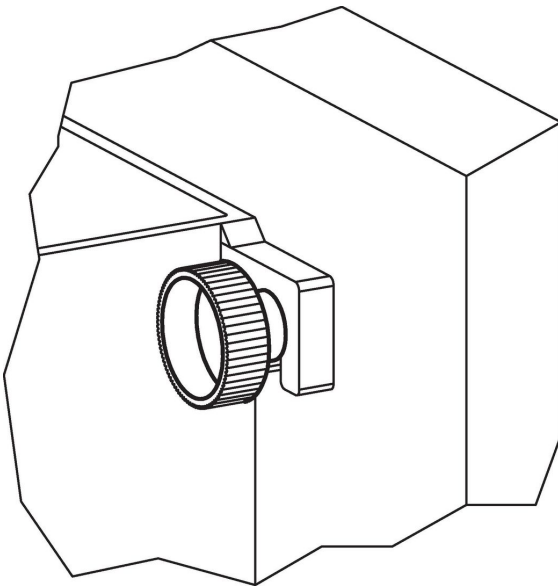


Order information

| Dimensions | | | | | | | Temperature | | Weight [g] | Art. No. |
|------------------------|----|----------------|----------------|----------------|------|------|-------------|------|------------|----------------------------|
| d ₁ | l | d ₂ | d ₃ | d ₄ | h | k | min. | max. | | |
| [mm] | | | | | | | [°C] | | | |
| Steel | | | | | | | | | | |
| M 4 | 10 | 9 | 12 | 19 | 14.0 | 8.0 | -30 | 80 | 3.8 | 24830.0030 |
| M 4 | 15 | 9 | 12 | 19 | 14.0 | 8.0 | -30 | 80 | 4.0 | 24830.0032 |
| M 4 | 20 | 9 | 12 | 19 | 14.0 | 8.0 | -30 | 80 | 4.2 | 24830.0034 |
| M 4 | 30 | 9 | 12 | 19 | 14.0 | 8.0 | -30 | 80 | 7.0 | 24830.0036 |
| M 5 | 10 | 9 | 12 | 19 | 14.0 | 8.0 | -30 | 80 | 4.3 | 24830.0042 |
| M 5 | 15 | 9 | 12 | 19 | 14.0 | 8.0 | -30 | 80 | 5.0 | 24830.0043 |
| M 5 | 20 | 9 | 12 | 19 | 14.0 | 8.0 | -30 | 80 | 5.5 | 24830.0045 |
| M 5 | 25 | 9 | 12 | 19 | 14.0 | 8.0 | -30 | 80 | 6.0 | 24830.0046 |
| M 6 | 10 | 12 | 14 | 24 | 16.5 | 9.5 | -30 | 80 | 7.0 | 24830.0050 |
| M 6 | 16 | 12 | 14 | 24 | 16.5 | 9.5 | -30 | 80 | 7.9 | 24830.0053 |
| M 6 | 20 | 12 | 14 | 24 | 16.5 | 9.5 | -30 | 80 | 8.5 | 24830.0054 |
| M 6 | 25 | 12 | 14 | 24 | 16.5 | 9.5 | -30 | 80 | 9.0 | 24830.0055 |
| M 6 | 30 | 12 | 14 | 24 | 16.5 | 9.5 | -30 | 80 | 10.0 | 24830.0057 |
| M 8 | 16 | 14 | 16 | 30 | 19.5 | 11.0 | -30 | 80 | 14.0 | 24830.0060 |
| M 8 | 20 | 14 | 16 | 30 | 19.5 | 11.0 | -30 | 80 | 16.0 | 24830.0062 |
| M 8 | 25 | 14 | 16 | 30 | 19.5 | 11.0 | -30 | 80 | 17.0 | 24830.0064 |
| M 8 | 30 | 14 | 16 | 30 | 19.5 | 11.0 | -30 | 80 | 19.0 | 24830.0065 |
| M 8 | 40 | 14 | 16 | 30 | 19.5 | 11.0 | -30 | 80 | 20.0 | 24830.0067 |
| M10 | 20 | 16 | 18 | 36 | 22.5 | 12.5 | -30 | 80 | 30.0 | 24830.0070 |
| M10 | 25 | 16 | 18 | 36 | 22.5 | 12.5 | -30 | 80 | 31.0 | 24830.0072 |
| M10 | 30 | 16 | 18 | 36 | 22.5 | 12.5 | -30 | 80 | 33.0 | 24830.0074 |
| M10 | 40 | 16 | 18 | 36 | 22.5 | 12.5 | -30 | 80 | 38.0 | 24830.0076 |
| Stainless steel | | | | | | | | | | |
| M 5 | 10 | 9 | 12 | 19 | 14.0 | 8.0 | -30 | 80 | 4.3 | 24830.0242 |
| M 5 | 15 | 9 | 12 | 19 | 14.0 | 8.0 | -30 | 80 | 5.0 | 24830.0243 |
| M 5 | 20 | 9 | 12 | 19 | 14.0 | 8.0 | -30 | 80 | 5.5 | 24830.0245 |
| M 5 | 25 | 9 | 12 | 19 | 14.0 | 8.0 | -30 | 80 | 6.0 | 24830.0246 |
| M 6 | 10 | 12 | 14 | 24 | 16.5 | 9.5 | -30 | 80 | 7.0 | 24830.0250 |
| M 6 | 16 | 12 | 14 | 24 | 16.5 | 9.5 | -30 | 80 | 7.9 | 24830.0253 |
| M 6 | 20 | 12 | 14 | 24 | 16.5 | 9.5 | -30 | 80 | 8.5 | 24830.0254 |
| M 6 | 25 | 12 | 14 | 24 | 16.5 | 9.5 | -30 | 80 | 9.0 | 24830.0255 |

| d ₁ | l | Dimensions | | | | | h | k |  min. max. [°C] | |  [g] | Art. No. |
|----------------|----|----------------|----------------|----------------|------|------|-----|----|--|----------------------------|--|----------|
| | | d ₂ | d ₃ | d ₄ | [mm] | | | | | | | |
| M 6 | 30 | 12 | 14 | 24 | 16.5 | 9.5 | -30 | 80 | 10.0 | 24830.0257 | | |
| M 8 | 20 | 14 | 16 | 30 | 19.5 | 11.0 | -30 | 80 | 16.0 | 24830.0262 | | |
| M 8 | 25 | 14 | 16 | 30 | 19.5 | 11.0 | -30 | 80 | 17.0 | 24830.0264 | | |
| M 8 | 30 | 14 | 16 | 30 | 19.5 | 11.0 | -30 | 80 | 19.0 | 24830.0265 | | |
| M 8 | 40 | 14 | 16 | 30 | 19.5 | 11.0 | -30 | 80 | 20.0 | 24830.0267 | | |
| M10 | 20 | 16 | 18 | 36 | 22.5 | 12.5 | -30 | 80 | 30.0 | 24830.0270 | | |
| M10 | 25 | 16 | 18 | 36 | 22.5 | 12.5 | -30 | 80 | 31.0 | 24830.0272 | | |
| M10 | 30 | 16 | 18 | 36 | 22.5 | 12.5 | -30 | 80 | 33.0 | 24830.0274 | | |
| M10 | 45 | 16 | 18 | 36 | 22.5 | 12.5 | -30 | 80 | 38.0 | 24830.0278 | | |
| M10 | 55 | 16 | 18 | 36 | 22.5 | 12.5 | -30 | 80 | 48.0 | 24830.0280 | | |

Application example



Compliance

For detailed compliance information please select the desired article number.