

High Knurled Thumb Screws • DIN 464

EH 24790.



Product Description

All knurled screws are one-piece manufactured. Contrary to the Official Standard Sheet, they all have a thread up to the head, but no recess at the thread end.

Material

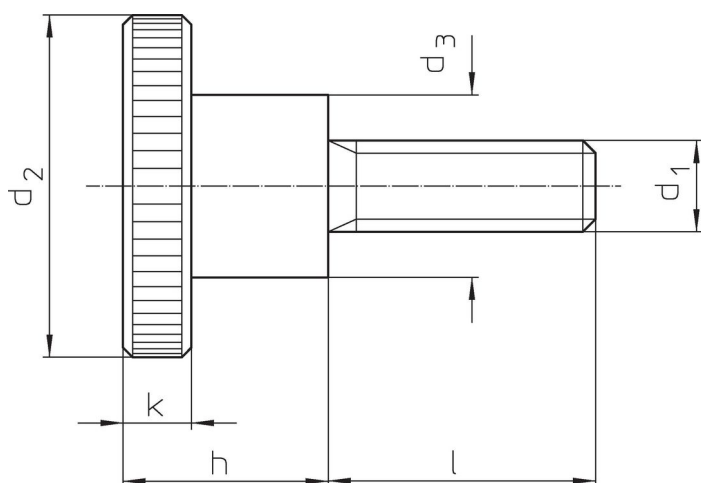
- Steel, blackened, quality 5.8
- Stainless steel 1.4305, dull blasted

More information

Notes


Knurling pitch and knurling depth may differ from DIN.

Drawing

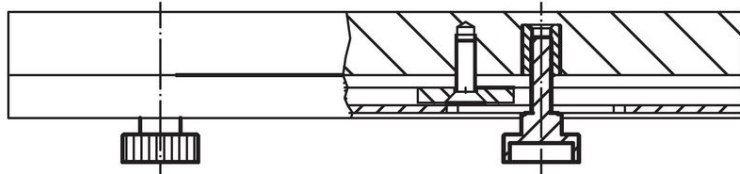
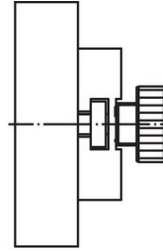
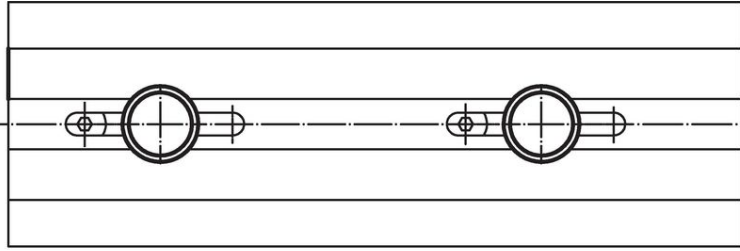


Order information

d ₁	l	d ₂	Dimensions		h	k	[g]	Art. No.
			d ₃	[mm]				
Steel								
M 3	6	12	6		7.5	2.5	3.7	24790.0074
M 3	10	12	6		7.5	2.5	3.8	24790.0076
M 3	12	12	6		7.5	2.5	4.0	24790.0077
M 3	16	12	6		7.5	2.5	4.0	24790.0079
M 3	20	12	6		7.5	2.5	4.5	24790.0081
M 4	5	16	8		9.5	3.5	7.7	24790.0092
M 4	8	16	8		9.5	3.5	8.0	24790.0094
M 4	10	16	8		9.5	3.5	8.1	24790.0095
M 4	12	16	8		9.5	3.5	8.6	24790.0096
M 4	16	16	8		9.5	3.5	8.4	24790.0098
M 4	20	16	8		9.5	3.5	9.1	24790.0100
M 4	25	16	8		9.5	3.5	9.0	24790.0102
M 5	6	20	10		11.5	4.0	14.0	24790.0112
M 5	8	20	10		11.5	4.0	15.0	24790.0113
M 5	10	20	10		11.5	4.0	15.0	24790.0114
M 5	12	20	10		11.5	4.0	15.0	24790.0115
M 5	16	20	10		11.5	4.0	16.0	24790.0117
M 5	20	20	10		11.5	4.0	16.0	24790.0119
M 5	25	20	10		11.5	4.0	17.0	24790.0121
M 5	30	20	10		11.5	4.0	17.0	24790.0123
M 6	8	24	12		15.0	5.0	28.0	24790.0132
M 6	10	24	12		15.0	5.0	27.0	24790.0133

d ₁	l	Dimensions				h	k		Art. No.
		d ₂	d ₃	[mm]					
M 6	12	24	12	12	15.0	5.0	28.0	24790.0134	
M 6	16	24	12	12	15.0	5.0	28.0	24790.0136	
M 6	20	24	12	12	15.0	5.0	29.0	24790.0138	
M 6	25	24	12	12	15.0	5.0	30.0	24790.0140	
M 6	30	24	12	12	15.0	5.0	31.0	24790.0142	
M 6	35	24	12	12	15.0	5.0	31.0	24790.0144	
M 8	12	30	16	16	18.0	6.0	53.0	24790.0152	
M 8	16	30	16	16	18.0	6.0	55.0	24790.0154	
M 8	20	30	16	16	18.0	6.0	56.0	24790.0156	
M 8	25	30	16	16	18.0	6.0	58.0	24790.0158	
M 8	30	30	16	16	18.0	6.0	60.0	24790.0160	
M 8	35	30	16	16	18.0	6.0	62.0	24790.0162	
M 8	40	30	16	16	18.0	6.0	61.0	24790.0164	
M10	15	36	20	20	23.0	8.0	104.0	24790.0171	
M10	20	36	20	20	23.0	8.0	106.0	24790.0173	
M10	25	36	20	20	23.0	8.0	109.0	24790.0175	
M10	30	36	20	20	23.0	8.0	112.0	24790.0177	
M10	35	36	20	20	23.0	8.0	116.0	24790.0179	
M10	40	36	20	20	23.0	8.0	116.0	24790.0181	
Stainless steel									
M 3	6	12	6	6	7.5	2.5	3.7	24790.0274	
M 3	10	12	6	6	7.5	2.5	3.8	24790.0276	
M 3	12	12	6	6	7.5	2.5	4.0	24790.0277	
M 3	16	12	6	6	7.5	2.5	4.0	24790.0279	
M 4	8	16	8	8	9.5	3.5	8.0	24790.0294	
M 4	10	16	8	8	9.5	3.5	8.1	24790.0295	
M 4	12	16	8	8	9.5	3.5	8.6	24790.0296	
M 4	16	16	8	8	9.5	3.5	8.4	24790.0298	
M 4	20	16	8	8	9.5	3.5	9.1	24790.0300	
M 4	25	16	8	8	9.5	3.5	9.0	24790.0302	
M 5	10	20	10	10	11.5	4.0	15.0	24790.0314	
M 5	12	20	10	10	11.5	4.0	15.0	24790.0315	
M 5	16	20	10	10	11.5	4.0	16.0	24790.0317	
M 5	20	20	10	10	11.5	4.0	16.0	24790.0319	
M 5	25	20	10	10	11.5	4.0	17.0	24790.0321	
M 5	30	20	10	10	11.5	4.0	17.0	24790.0323	
M 6	12	24	12	12	15.0	5.0	28.0	24790.0334	
M 6	16	24	12	12	15.0	5.0	28.0	24790.0336	
M 6	20	24	12	12	15.0	5.0	29.0	24790.0338	
M 6	25	24	12	12	15.0	5.0	30.0	24790.0340	
M 6	30	24	12	12	15.0	5.0	31.0	24790.0342	
M 6	35	24	12	12	15.0	5.0	31.0	24790.0344	
M 8	16	30	16	16	18.0	6.0	55.0	24790.0354	
M 8	20	30	16	16	18.0	6.0	56.0	24790.0356	
M 8	25	30	16	16	18.0	6.0	58.0	24790.0358	
M 8	30	30	16	16	18.0	6.0	60.0	24790.0360	
M 8	35	30	16	16	18.0	6.0	62.0	24790.0362	

Application example



Compliance

For detailed compliance information please select the desired article number.