

## High Knurled Nuts • DIN 466 EH 24780.



### Product Description

#### Material

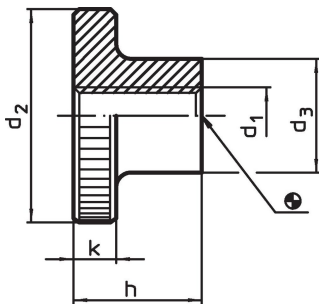
- Steel, blackened, quality 5
- Stainless steel 1.4301, dull blasted

#### More information

#### Notes

Knurling pitch and knurling depth may differ from DIN.

### Drawing

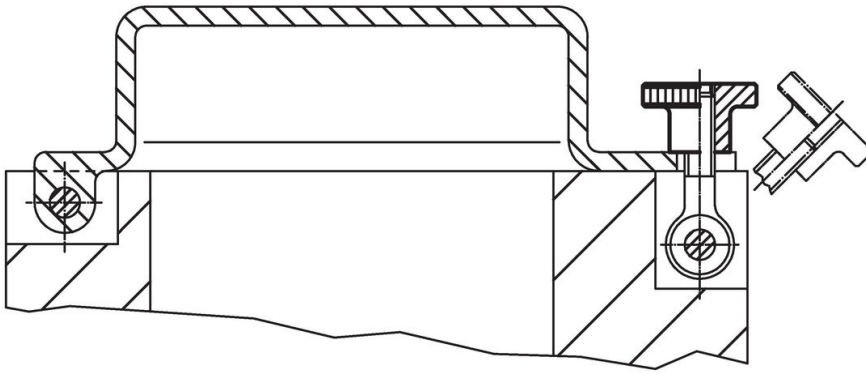


### Order information

| d <sub>1</sub>         | d <sub>2</sub> | Dimensions     |      |      | k     | [g]                      | Art. No. |
|------------------------|----------------|----------------|------|------|-------|--------------------------|----------|
|                        |                | d <sub>3</sub> | h    | [mm] |       |                          |          |
| <b>Steel</b>           |                |                |      |      |       |                          |          |
| M 3                    | 12             | 6              | 7.5  | 2.5  | 2.9   | 24780.0030               |          |
| M 4                    | 16             | 8              | 9.5  | 3.5  | 6.7   | 24780.0040               |          |
| M 5                    | 20             | 10             | 11.5 | 4.0  | 12.0  | 24780.0050               |          |
| M 6                    | 24             | 12             | 15.0 | 5.0  | 23.0  | 24780.0060               |          |
| M 8                    | 30             | 16             | 18.0 | 6.0  | 44.0  | 24780.0080               |          |
| M10                    | 36             | 20             | 23.0 | 8.0  | 85.0  | 24780.0100               |          |
| M12                    | 40             | 22             | 25.0 | 10.0 | 119.0 | 24780.0120 <sup>1)</sup> |          |
| <b>Stainless steel</b> |                |                |      |      |       |                          |          |
| M 4                    | 16             | 8              | 9.5  | 3.5  | 6.7   | 24780.0240               |          |
| M 5                    | 20             | 10             | 11.5 | 4.0  | 12.0  | 24780.0250               |          |
| M 6                    | 24             | 12             | 15.0 | 5.0  | 23.0  | 24780.0260               |          |
| M 8                    | 30             | 16             | 18.0 | 6.0  | 44.0  | 24780.0280               |          |
| M10                    | 36             | 20             | 23.0 | 8.0  | 85.0  | 24780.0300               |          |

<sup>1)</sup> DIN standards do not include these dimensions.

Application example



Compliance

For detailed compliance information please select the desired article number.