

Palm Grip Screws • similar to DIN 6335, stainless steel A4

EH 24731.



Product Description

These grub screws with palm grip are manufactured according to DIN 6335, but it is a version without dirty edges. This makes these grub screws with palm grip suitable for all areas of application with high hygienic requirements. The stainless steel A4 version ensures maximum corrosion resistance.

Material

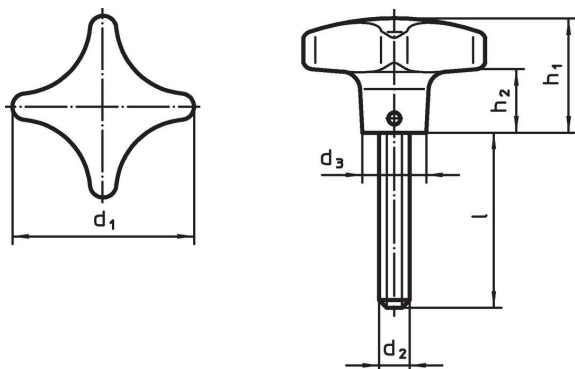
Handle

- Stainless steel A4, polished

Screw

- Stainless steel A4

Drawing



Order information

d ₁	d ₂	Dimensions				[g]	Art. No.
		l	d ₃	h ₁	h ₂		
		[mm]					
40	M 8	20	14	25	13	73	24731.0105
40	M 8	25	14	25	13	75	24731.0110
40	M 8	30	14	25	13	76	24731.0115
40	M 8	40	14	25	13	80	24731.0120
50	M10	20	18	32	18	132	24731.0125
50	M10	25	18	32	18	136	24731.0130
50	M10	30	18	32	18	137	24731.0135
50	M10	45	18	32	18	144	24731.0140
50	M10	55	18	32	18	152	24731.0145
63	M12	30	20	40	23	248	24731.0150
63	M12	40	20	40	23	256	24731.0155
63	M12	50	20	40	23	263	24731.0160

Compliance

RoHS compliant

Compliant according to Directive 2011/65/EU and Directive 2015/863.

Does not contain SVHC substances

No SVHC substances with more than 0.1% w/w contained - SVHC list [REACH] as of 27.06.2024.

Does not contain Proposition 65 substances

No Proposition 65 substances included.

<https://www.P65Warnings.ca.gov/>

Free from Conflict Minerals

This product does not contain any substances designated as "conflict minerals" such as tantalum, tin, gold or tungsten from the Democratic Republic of Congo or adjacent countries.