

Conical Knobs

EH 24550.

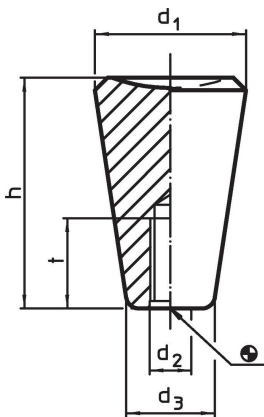


Product Description

Material

- Thermosetting plastic PF 31, black

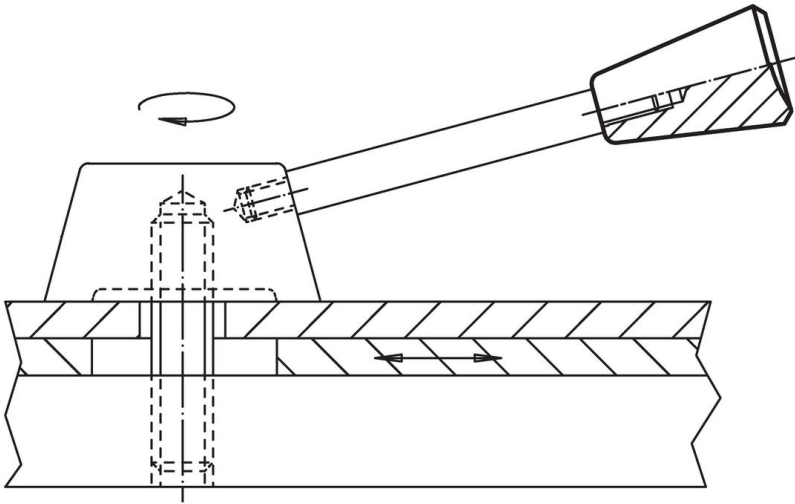
Drawing



Order information

d ₁	d ₂	Dimensions			t min.	max. [°C]	[g]	Art. No.
		d ₃ ~ [mm]	h					
20	M 5	12	30	18	110	7.8	24550.0010	
20	M 6	12	30	18	110	7.4	24550.0011	
25	M 6	15	38	18	110	18.0	24550.0020	
25	M 8	15	38	18	110	17.0	24550.0021	
30	M 8	18	46	18	110	26.0	24550.0030	
30	M10	18	46	18	110	25.0	24550.0031	
35	M10	21	53	21	110	46.0	24550.0040	
35	M12	21	53	21	110	43.0	24550.0041	

Application example



Compliance

RoHS compliant

Compliant according to Directive 2011/65/EU and Directive 2015/863.

Does not contain SVHC substances

No SVHC substances with more than 0.1% w/w contained - SVHC list [REACH] as of 27.06.2024.

Does not contain Proposition 65 substances

No Proposition 65 substances included.

<https://www.P65Warnings.ca.gov/>

Free from Conflict Minerals

This product does not contain any substances designated as "conflict minerals" such as tantalum, tin, gold or tungsten from the Democratic Republic of Congo or adjacent countries.