

## Clamping Nuts · welded, double-sided EH 24470.



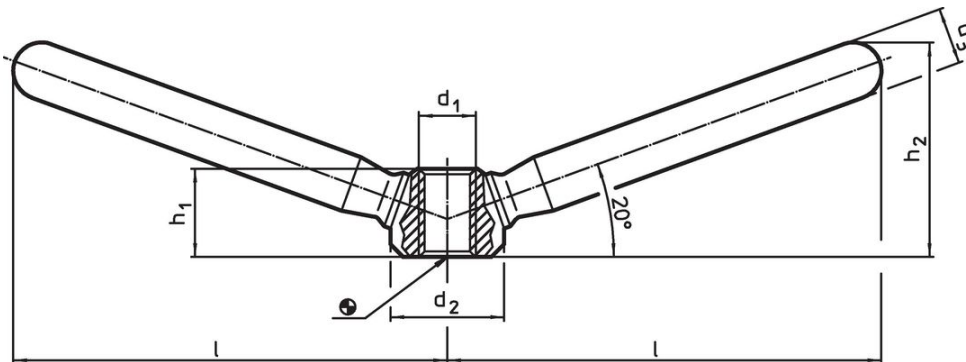
### Product Description

Allows for two-handed operating.

### Material

- Steel, zinc-plated by galvanization
- Stainless steel 1.4301, dull blasted

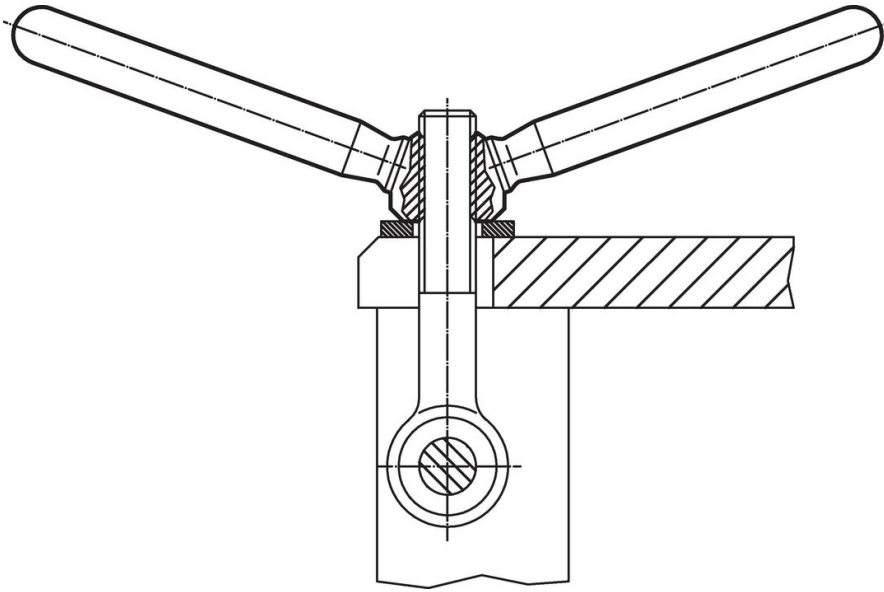
### Drawing



### Order information

l	d <sub>1</sub>	Dimensions			h <sub>1</sub>	h <sub>2</sub>	[g]	Art. No.
		d <sub>2</sub>	d <sub>3</sub>	[mm]				
<b>Steel</b>								
47.5	M 8	16	10	12.5	26	63	<a href="#">24470.0706</a>	
59.5	M10	20	12	15.0	32	116	<a href="#">24470.0708</a>	
75.5	M12	25	14	19.0	40	210	<a href="#">24470.0710</a>	
94.5	M16	32	18	25.0	52	432	<a href="#">24470.0712</a>	
118.0	M20	40	20	31.0	62	716	<a href="#">24470.0716</a>	
<b>Stainless steel</b>								
47.5	M 8	16	10	12.5	26	63	<a href="#">24470.0806</a>	
59.5	M10	20	12	15.0	32	116	<a href="#">24470.0808</a>	
75.5	M12	25	14	19.0	40	210	<a href="#">24470.0810</a>	
94.5	M16	32	18	25.0	52	432	<a href="#">24470.0812</a>	
118.0	M20	40	20	31.0	62	716	<a href="#">24470.0816</a>	

Application example



Compliance

For detailed compliance information please select the desired article number.