

## Clamping Nuts · welded

EH 24470.



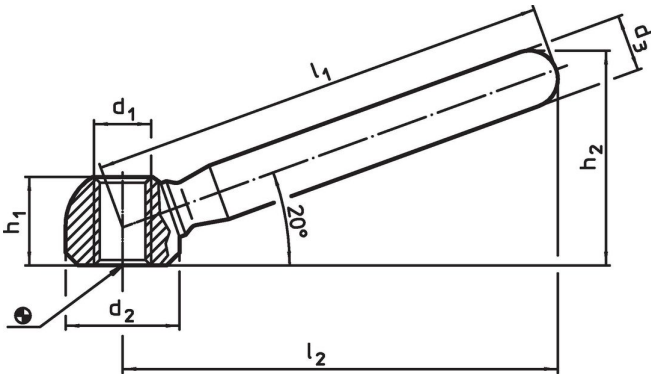
### Product Description

Low-price version to DIN 99.

### Material

- Steel, zinc-plated by galvanization
- Stainless steel 1.4301, dull blasted

### Drawing



### Order information

l <sub>1</sub>	l <sub>2</sub> ~	d <sub>1</sub>	Dimensions			h <sub>1</sub>	h <sub>2</sub> ~	[g]	Art. No.
			d <sub>2</sub>	d <sub>3</sub>	[mm]				
<b>Steel</b>									
63	60	M 8	16	10	12.5	30.5	39	<a href="#">24470.0506</a>	
80	76	M10	20	12	15.0	37.0	83	<a href="#">24470.0508</a>	
100	95	M12	25	14	19.0	46.0	149	<a href="#">24470.0510</a>	
125	119	M16	32	18	25.0	58.5	313	<a href="#">24470.0512</a>	
160	152	M20	40	20	31.0	73.0	533	<a href="#">24470.0516</a>	
<b>Stainless steel</b>									
63	60	M 8	16	10	12.5	30.5	39	<a href="#">24470.0606</a>	
80	76	M10	20	12	15.0	37.0	83	<a href="#">24470.0608</a>	
100	95	M12	25	14	19.0	46.0	149	<a href="#">24470.0610</a>	
125	119	M16	32	18	25.0	58.5	313	<a href="#">24470.0612</a>	
160	152	M20	40	20	31.0	73.0	533	<a href="#">24470.0616</a>	

Application example



Compliance

For detailed compliance information please select the desired article number.