

Tapered Levers • DIN 99

EH 24470.

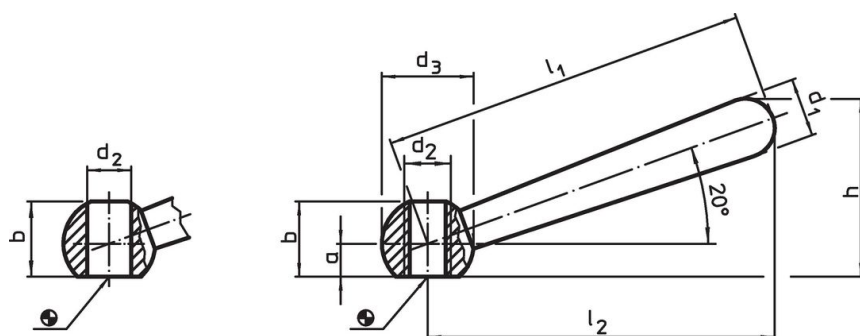


Product Description

Material

- Steel, blackened
- Stainless steel 1.4305, dull blasted

Drawing



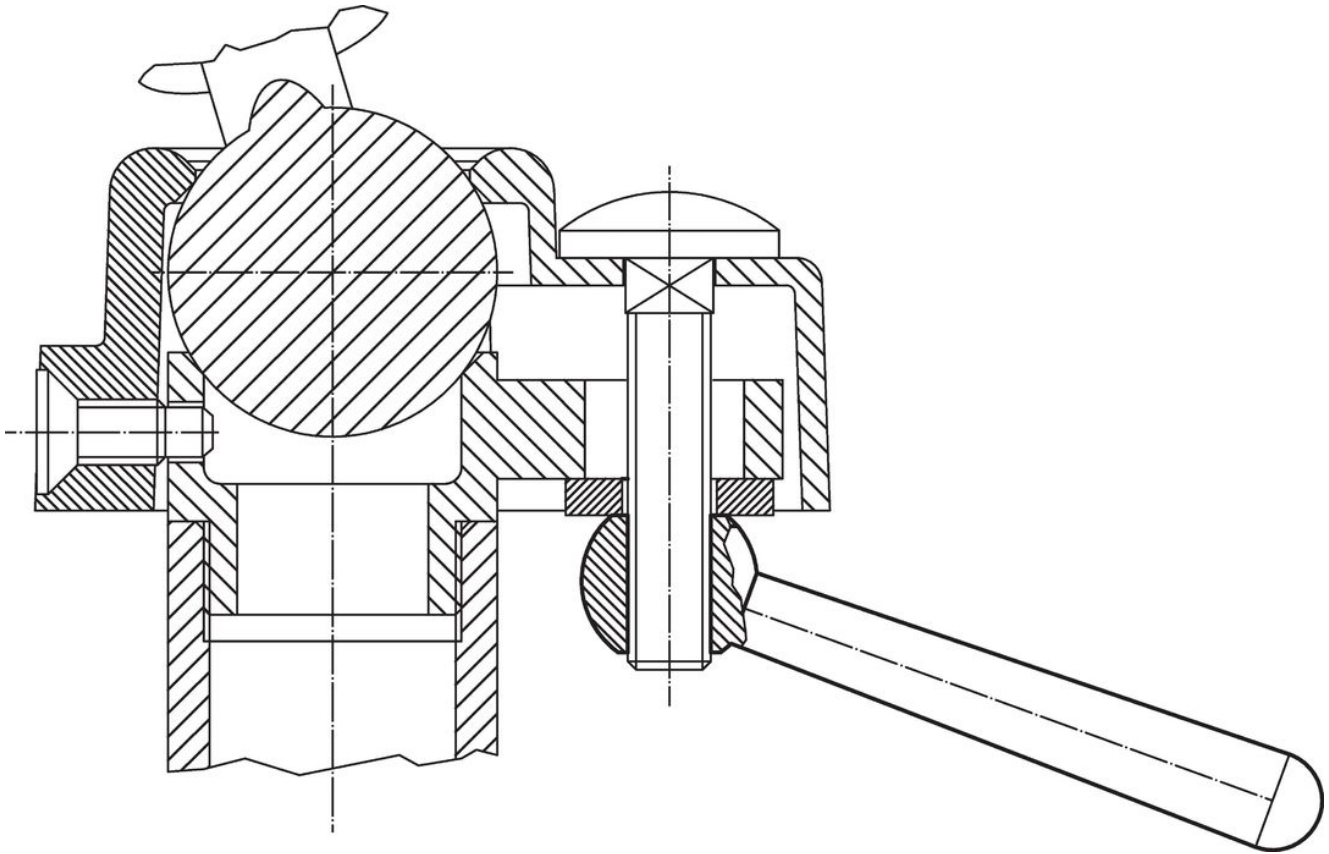
picture 1

picture 2

Order information

l ₁	l ₂ ~	a	Dimensions					h ~	[g]	Art. No.
			b ~ [mm]	d ₁	d ₂	d ₃				
slanted, with smooth bore, form L – picture 1, Steel										
50	48	4.0	9.5	8	6H7	12	24.0	16	24470.0105	
63	60	5.0	12.0	10	8H7	16	30.5	37	24470.0106	
80	76	6.0	14.5	13	10H7	20	38.0	73	24470.0108	
100	95	7.5	18.5	16	12H7	25	47.0	140	24470.0110	
125	119	10.0	24.0	20	16H7	32	59.5	282	24470.0112	
160	152	12.5	30.0	25	20H7	40	75.7	553	24470.0116	
200	190	18.0	40.0	32	24H7	50	97.0	1096	24470.0120	
slanted, with thread, form N – picture 2, Steel										
50	48	4.0	9.5	8	M 6	12	24.0	17	24470.0305	
63	60	5.0	12.5	10	M 8	16	30.5	38	24470.0306	
80	76	6.0	15.0	13	M10	20	38.0	74	24470.0308	
100	95	7.5	19.0	16	M12	25	47.0	142	24470.0310	
125	119	10.0	25.0	20	M16	32	59.5	297	24470.0312	
160	152	12.5	31.0	25	M20	40	75.7	574	24470.0316	
200	190	18.0	41.0	32	M24	50	97.0	1140	24470.0320	
slanted, with smooth bore, form L – picture 1, Stainless steel										
63	60	5.0	12.0	10	8H7	16	30.5	37	24470.0206	
80	76	6.0	14.5	13	10H7	20	38.0	73	24470.0208	
100	95	7.5	18.5	16	12H7	25	47.0	140	24470.0210	
slanted, with thread, form N – picture 2, Stainless steel										
50	48	4.0	9.5	8	M 6	12	24.0	17	24470.0405	
63	60	5.0	12.5	10	M 8	16	30.5	38	24470.0406	
80	76	6.0	15.0	13	M10	20	38.0	74	24470.0408	
100	95	7.5	19.0	16	M12	25	47.0	142	24470.0410	
125	119	10.0	25.0	20	M16	32	59.5	297	24470.0412	

Application example



Compliance

For detailed compliance information please select the desired article number.