

Adjustable Tension Levers

EH 24440.



Product Description

Material

Lever

- Steel, blackened
- Stainless steel 1.4305, dull blasted

Inner parts

- Steel, blackened, quality 5.8
- Stainless steel 1.4305, dull blasted

Screw

- Steel, blackened, quality 5.8
- Stainless steel 1.4305

Ball knob

- Thermosetting plastic PF 31, black, DIN 319

Operation

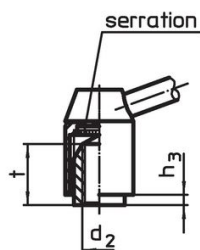
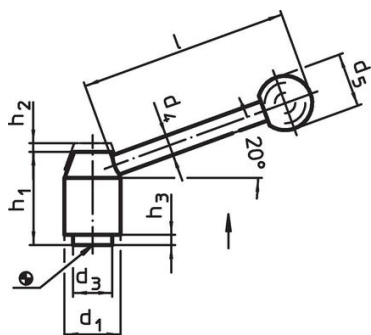
By lifting the lever the serrations are disengaged. The lever can be positioned by the serrations. On releasing the lever, the serrations are automatically re-engaged.

More information

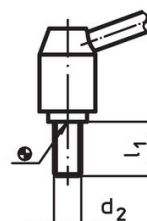
Notes

The threaded portion can be exchanged.

Drawing




picture 1



picture 2

Order information

d ₁	d ₂	l ₁	d ₃	d ₄	Dimensions						t min.	[g]	Art. No.	
					d ₅	h ₁	h ₂	h ₃	l	~				
[mm]														
with female thread – picture 1, Steel														
21	M 6	–	13.5	8	20	33.5	4.0	1.0	70	11	91	24440.0101		
21	M 8	–	13.5	8	20	33.5	4.0	1.0	70	11	89	24440.0102		
24	M 8	–	16.0	10	25	40.0	4.5	2.5	96	14	159	24440.0201		
24	M10	–	16.0	10	25	40.0	4.5	2.5	96	14	153	24440.0202		
28	M10	–	19.0	12	30	48.5	4.5	4.5	110	17	255	24440.0301		
28	M12	–	19.0	12	30	48.5	4.5	4.5	110	17	248	24440.0302		
33	M12	–	23.0	12	32	55.0	5.5	6.0	124	23	365	24440.0401		
33	M16	–	23.0	12	32	55.0	5.5	6.0	124	23	347	24440.0402		
40	M16	–	30.0	14	35	68.0	5.5	6.0	138	36	622	24440.0501		
40	M20	–	30.0	14	35	68.0	5.5	6.0	138	36	599	24440.0502		
with screw – picture 2, Steel														
21	M 8	12	13.5	8	20	33.5	4.0	1.0	70	–	98	24440.0120		
21	M 8	16	13.5	8	20	33.5	4.0	1.0	70	–	99	24440.0122		
21	M 8	20	13.5	8	20	33.5	4.0	1.0	70	–	103	24440.0124		
21	M 8	25	13.5	8	20	33.5	4.0	1.0	70	–	102	24440.0126		
21	M 8	32	13.5	8	20	33.5	4.0	1.0	70	–	105	24440.0128		
21	M 8	40	13.5	8	20	33.5	4.0	1.0	70	–	112	24440.0130		
21	M 8	50	13.5	8	20	33.5	4.0	1.0	70	–	109	24440.0132		
21	M 8	63	13.5	8	20	33.5	4.0	1.0	70	–	114	24440.0134		
24	M10	16	16.0	10	25	40.0	4.5	2.5	96	–	172	24440.0220		
24	M10	20	16.0	10	25	40.0	4.5	2.5	96	–	173	24440.0222		
24	M10	25	16.0	10	25	40.0	4.5	2.5	96	–	174	24440.0224		
24	M10	32	16.0	10	25	40.0	4.5	2.5	96	–	177	24440.0226		

d ₁	d ₂	l ₁	Dimensions								t min.	 [g]	Art. No.
			d ₃	d ₄	d ₅	h ₁	h ₂	h ₃	l ~				
[mm]													
24	M10	40	16.0	10	25	40.0	4.5	2.5	96	-	184	24440.0228	
24	M10	50	16.0	10	25	40.0	4.5	2.5	96	-	185	24440.0230	
24	M10	63	16.0	10	25	40.0	4.5	2.5	96	-	195	24440.0232	
24	M10	80	16.0	10	25	40.0	4.5	2.5	96	-	205	24440.0234	
28	M12	16	19.0	12	30	48.5	4.5	4.5	110	-	277	24440.0318	
28	M12	20	19.0	12	30	48.5	4.5	4.5	110	-	282	24440.0320	
28	M12	25	19.0	12	30	48.5	4.5	4.5	110	-	283	24440.0322	
28	M12	32	19.0	12	30	48.5	4.5	4.5	110	-	287	24440.0324	
28	M12	40	19.0	12	30	48.5	4.5	4.5	110	-	298	24440.0326	
28	M12	50	19.0	12	30	48.5	4.5	4.5	110	-	302	24440.0328	
28	M12	63	19.0	12	30	48.5	4.5	4.5	110	-	312	24440.0330	
28	M12	80	19.0	12	30	48.5	4.5	4.5	110	-	320	24440.0332	
33	M16	32	23.0	12	32	55.0	5.5	6.0	124	-	422	24440.0422	
33	M16	40	23.0	12	32	55.0	5.5	6.0	124	-	435	24440.0424	
33	M16	50	23.0	12	32	55.0	5.5	6.0	124	-	446	24440.0426	
33	M16	63	23.0	12	32	55.0	5.5	6.0	124	-	461	24440.0428	
33	M16	80	23.0	12	32	55.0	5.5	6.0	124	-	486	24440.0430	
40	M20	40	30.0	14	35	68.0	5.5	6.0	138	-	772	24440.0520	
40	M20	50	30.0	14	35	68.0	5.5	6.0	138	-	792	24440.0522	
40	M20	63	30.0	14	35	68.0	5.5	6.0	138	-	826	24440.0524	
40	M20	80	30.0	14	35	68.0	5.5	6.0	138	-	859	24440.0526	
with female thread – picture 1, Stainless steel													
21	M 6	-	13.5	8	20	33.5	4.0	1.0	70	11	91	24440.0601	
21	M 8	-	13.5	8	20	33.5	4.0	1.0	70	11	89	24440.0602	
24	M 8	-	16.0	10	25	40.0	4.5	2.5	96	14	159	24440.0611	
24	M10	-	16.0	10	25	40.0	4.5	2.5	96	14	153	24440.0612	
28	M10	-	19.0	12	30	48.5	4.5	4.5	110	17	255	24440.0621	
28	M12	-	19.0	12	30	48.5	4.5	4.5	110	17	248	24440.0622	
with screw – picture 2, Stainless steel													
21	M 8	16	13.5	8	20	33.5	4.0	1.0	70	-	99	24440.0702	
21	M 8	20	13.5	8	20	33.5	4.0	1.0	70	-	103	24440.0704	
21	M 8	25	13.5	8	20	33.5	4.0	1.0	70	-	102	24440.0706	
21	M 8	32	13.5	8	20	33.5	4.0	1.0	70	-	105	24440.0708	
21	M 8	40	13.5	8	20	33.5	4.0	1.0	70	-	112	24440.0710	
21	M 8	50	13.5	8	20	33.5	4.0	1.0	70	-	109	24440.0712	
21	M 8	63	13.5	8	20	33.5	4.0	1.0	70	-	114	24440.0714	
24	M10	20	16.0	10	25	40.0	4.5	2.5	96	-	173	24440.0722	
24	M10	25	16.0	10	25	40.0	4.5	2.5	96	-	174	24440.0724	
24	M10	32	16.0	10	25	40.0	4.5	2.5	96	-	177	24440.0726	
24	M10	40	16.0	10	25	40.0	4.5	2.5	96	-	184	24440.0728	
24	M10	50	16.0	10	25	40.0	4.5	2.5	96	-	185	24440.0730	
24	M10	63	16.0	10	25	40.0	4.5	2.5	96	-	195	24440.0732	
24	M10	80	16.0	10	25	40.0	4.5	2.5	96	-	205	24440.0734	
28	M12	25	19.0	12	30	48.5	4.5	4.5	110	-	283	24440.0742	
28	M12	32	19.0	12	30	48.5	4.5	4.5	110	-	287	24440.0744	
28	M12	40	19.0	12	30	48.5	4.5	4.5	110	-	298	24440.0746	
28	M12	50	19.0	12	30	48.5	4.5	4.5	110	-	302	24440.0748	
28	M12	63	19.0	12	30	48.5	4.5	4.5	110	-	312	24440.0750	
28	M12	80	19.0	12	30	48.5	4.5	4.5	110	-	320	24440.0752	

Compliance

For detailed compliance information please select the desired article number.