

Adjustable Clamping Levers · with female thread

EH 24400.



Product Description

Adjustable clamping levers find versatile applications when the area of use is confined or a specific lever position is required.

Material

Lever

- Zinc die-cast, plastic coated, orange similar to RAL 2004, matt structure
- Zinc die-cast, plastic coated, silver, similar to RAL 9006, matt structure
- Zinc die-cast, plastic coated, black, similar to RAL 9005, matt structure

Threaded part

- Steel, blackened, quality 5

Inner parts

- Steel, blackened, quality 5.8

Operation

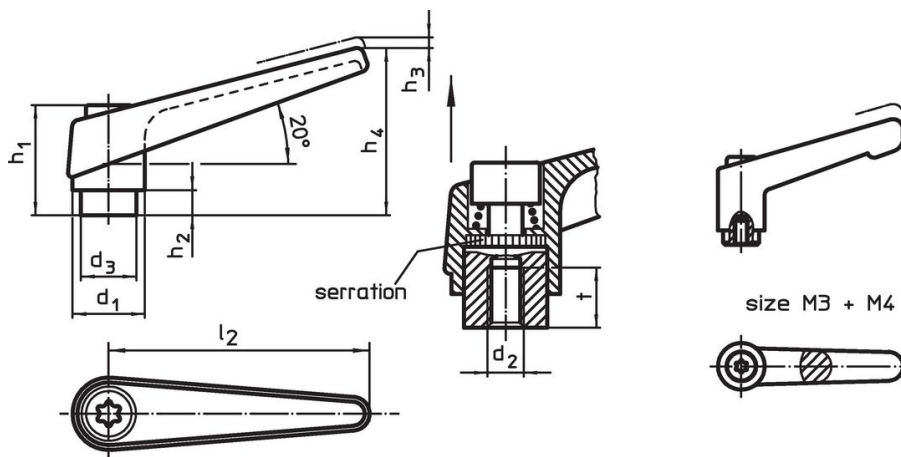
By lifting the lever the serrations are disengaged. The lever can be positioned by the serrations. On releasing the lever, the serrations are automatically re-engaged.

More information

Notes

The threaded portion can be exchanged.

Drawing

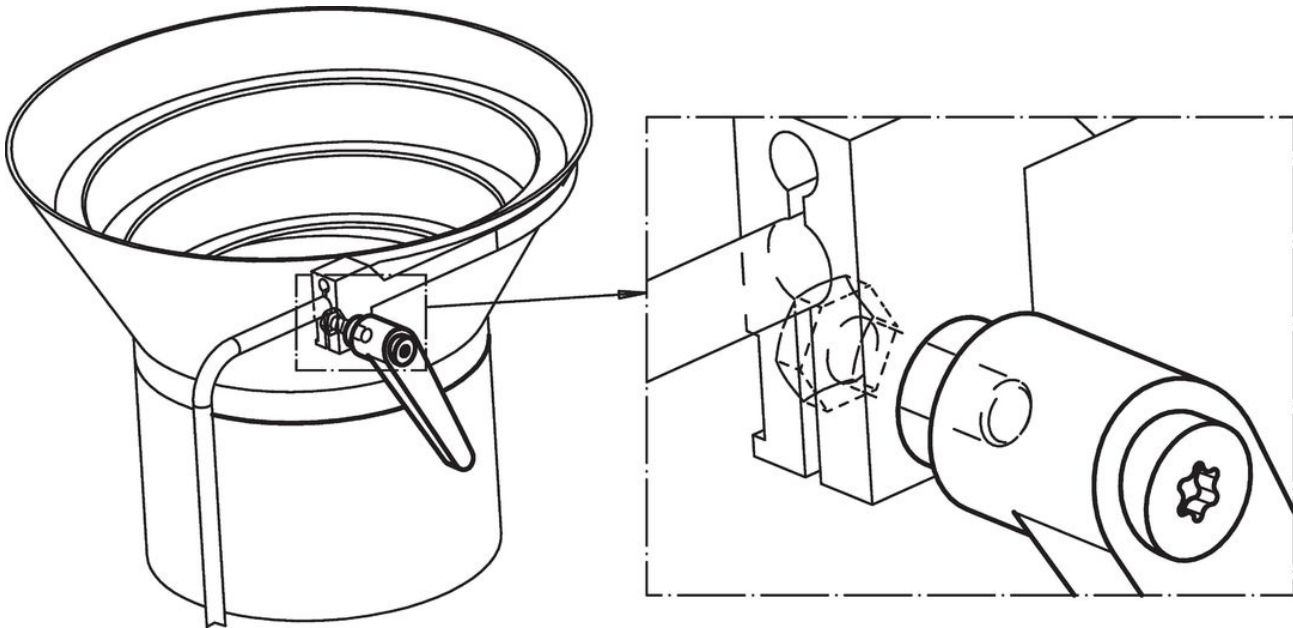


Order information

d ₁	d ₂	d ₃	Dimensions							t ≥	[g]	Art. No.
			h ₁	h ₂	h ₃	h ₄	l ₂	[mm]				
orange												
13	M 3	10.0	24.5	4.0	3.5	30.5	30	7	26	24400.0032		
13	M 4	10.0	24.5	4.0	3.5	30.5	30	9	25	24400.0036		
14	M 5	10.0	24.5	4.0	3.0	35.0	45	8	33	24400.0111		
14	M 6	10.0	24.5	4.0	3.0	35.0	45	8	33	24400.0121		
18	M 6	13.5	31.0	6.5	3.0	45.0	62	10	67	24400.0311		
18	M 8	13.5	31.0	6.5	3.0	45.0	62	10	71	24400.0321		
22	M 8	16.0	36.0	8.0	3.5	52.0	74	14	112	24400.0411		
22	M10	16.0	36.0	8.0	3.5	52.0	74	14	109	24400.0421		
25	M10	19.0	43.0	11.0	4.0	63.0	89	17	176	24400.0511		
25	M12	19.0	43.0	11.0	4.0	63.0	89	17	171	24400.0521		
30	M12	23.0	50.5	12.0	5.0	76.0	108	22	286	24400.0611		
30	M16	23.0	50.5	12.0	5.0	76.0	108	22	269	24400.0621		
silver												
14	M 5	10.0	24.5	4.0	3.0	35.0	45	8	33	24400.0113		
14	M 6	10.0	24.5	4.0	3.0	35.0	45	8	33	24400.0123		
18	M 6	13.5	31.0	6.5	3.0	45.0	62	10	67	24400.0313		
18	M 8	13.5	31.0	6.5	3.0	45.0	62	10	71	24400.0323		
22	M 8	16.0	36.0	8.0	3.5	52.0	74	14	112	24400.0413		

d ₁	d ₂	d ₃	Dimensions						t ≥	[g]	Art. No.
			h ₁	h ₂	h ₃	h ₄	l ₂	[mm]			
22	M10	16.0	36.0	8.0	3.5	52.0	74	14	109	24400.0423	
25	M10	19.0	43.0	11.0	4.0	63.0	89	17	176	24400.0513	
25	M12	19.0	43.0	11.0	4.0	63.0	89	17	171	24400.0523	
30	M12	23.0	50.5	12.0	5.0	76.0	108	22	286	24400.0613	
30	M16	23.0	50.5	12.0	5.0	76.0	108	22	269	24400.0623	
black											
13	M 3	10.0	24.5	4.0	3.5	30.5	30	7	26	24400.0034	
13	M 4	10.0	24.5	4.0	3.5	30.5	30	9	25	24400.0038	
14	M 5	10.0	24.5	4.0	3.0	35.0	45	8	33	24400.0114	
14	M 6	10.0	24.5	4.0	3.0	35.0	45	8	33	24400.0124	
18	M 6	13.5	31.0	6.5	3.0	45.0	62	10	67	24400.0314	
18	M 8	13.5	31.0	6.5	3.0	45.0	62	10	71	24400.0324	
22	M 8	16.0	36.0	8.0	3.5	52.0	74	14	112	24400.0414	
22	M10	16.0	36.0	8.0	3.5	52.0	74	14	109	24400.0424	
25	M10	19.0	43.0	11.0	4.0	63.0	89	17	176	24400.0514	
25	M12	19.0	43.0	11.0	4.0	63.0	89	17	171	24400.0524	
30	M12	23.0	50.5	12.0	5.0	76.0	108	22	286	24400.0614	
30	M16	23.0	50.5	12.0	5.0	76.0	108	22	269	24400.0624	

Application example



Compliance

RoHS compliant

Contains lead - compliant according to exceptions 6a / 6b / 6c.

Contains SVHC substances >0,1% w/w

Contains lead - SVHC list [REACH] as of 23.01.2024.

Contains Proposition 65 substances



Lead can cause cancer and reproductive harm from exposure
<https://www.P65Warnings.ca.gov/>

Free from Conflict Minerals

This product does not contain any substances designated as "conflict minerals" such as tantalum, tin, gold or tungsten from the Democratic Republic of Congo or adjacent countries.