

Adjustable Clamping Levers · inner parts from stainless steel, with female thread

EH 24390.



Product Description

Adjustable clamping levers with rust-proof inner parts. Suitable for multiple applications, e.g. medical environments, chemical industry, and so on.

Material

Lever

- Zinc die-cast, plastic coated, orange similar to RAL 2004, matt structure
- Zinc die-cast, plastic coated, black, similar to RAL 9005, matt structure

Threaded part

- Stainless steel 1.4305

Inner parts

- Stainless steel 1.4305

Operation

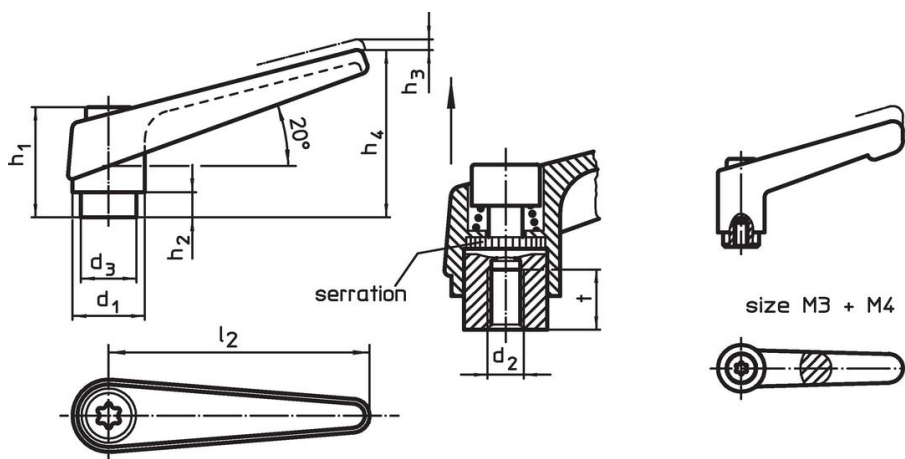
By lifting the lever the serrations are disengaged. The lever can be positioned by the serrations. On releasing the lever, the serrations are automatically re-engaged.

More information

Notes

The threaded portion can be exchanged.

Drawing

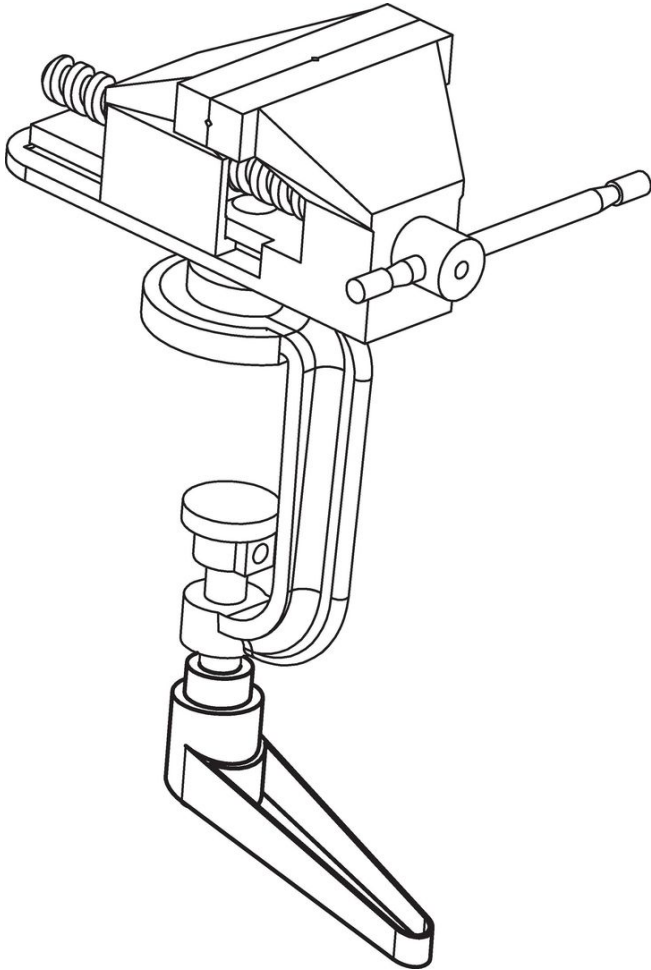


Order information

d_1	d_2	d_3	Dimensions							[g]	Art. No.
			h_1	h_2	h_3	h_4	l_2	t			
[mm]											
orange											
13	M 3	10.0	24.5	4.0	3.5	30.5	30	7	26	24390.0032	
13	M 4	10.0	24.5	4.0	3.5	30.5	30	9	25	24390.0036	
14	M 5	10.0	24.5	4.0	3.0	35.0	45	8	33	24390.0111	
14	M 6	10.0	24.5	4.0	3.0	35.0	45	8	33	24390.0121	
18	M 8	13.5	31.0	6.5	3.0	45.0	62	10	67	24390.0321	
22	M 8	16.0	36.0	8.0	3.5	52.0	74	14	112	24390.0411	
22	M10	16.0	36.0	8.0	3.5	52.0	74	14	109	24390.0421	
25	M10	19.0	43.0	11.0	4.0	63.0	89	17	175	24390.0511	
25	M12	19.0	43.0	11.0	4.0	63.0	89	17	171	24390.0521	
30	M12	23.0	50.5	12.0	5.0	76.0	108	22	286	24390.0611	
30	M16	23.0	50.5	12.0	5.0	76.0	108	22	269	24390.0621	
black											
13	M 3	10.0	24.5	4.0	3.5	30.5	30	7	26	24390.0034	
13	M 4	10.0	24.5	4.0	3.5	30.5	30	9	25	24390.0038	
14	M 5	10.0	24.5	4.0	3.0	35.0	45	8	33	24390.0114	
14	M 6	10.0	24.5	4.0	3.0	35.0	45	8	33	24390.0124	
18	M 8	13.5	31.0	6.5	3.0	45.0	62	10	67	24390.0324	
22	M 8	16.0	36.0	8.0	3.5	52.0	74	14	112	24390.0414	
22	M10	16.0	36.0	8.0	3.5	52.0	74	14	109	24390.0424	

d ₁	d ₂	d ₃	h ₁	Dimensions					l ₂	t ≥	[g]	Art. No.
				h ₂	h ₃	h ₄	[mm]					
25	M10	19.0	43.0	11.0	4.0	63.0	89	17	175	24390.0514		
25	M12	19.0	43.0	11.0	4.0	63.0	89	17	171	24390.0524		
30	M12	23.0	50.5	12.0	5.0	76.0	108	22	286	24390.0614		
30	M16	23.0	50.5	12.0	5.0	76.0	108	22	269	24390.0624		

Application example



Compliance

RoHS compliant

Contains lead - compliant according to exceptions 6a / 6b / 6c.

Contains SVHC substances >0,1% w/w

Contains lead - SVHC list [REACH] as of 27.06.2024.

Contains Proposition 65 substances



Lead can cause cancer and reproductive harm from exposure
<https://www.P65Warnings.ca.gov/>

Free from Conflict Minerals

This product does not contain any substances designated as "conflict minerals" such as tantalum, tin, gold or tungsten from the Democratic Republic of Congo or adjacent countries.