

Crank Handles · with folding handle

EH 24331.



Product Description

Material

Axle part

- Steel, blackened

Handle

- Thermoplastic, black, dull

Handle body

- Aluminium, plastic coated, similar to RAL 9006 silver, structural matt
- Aluminium, plastic coated, similar to RAL 9005 black, matt structure

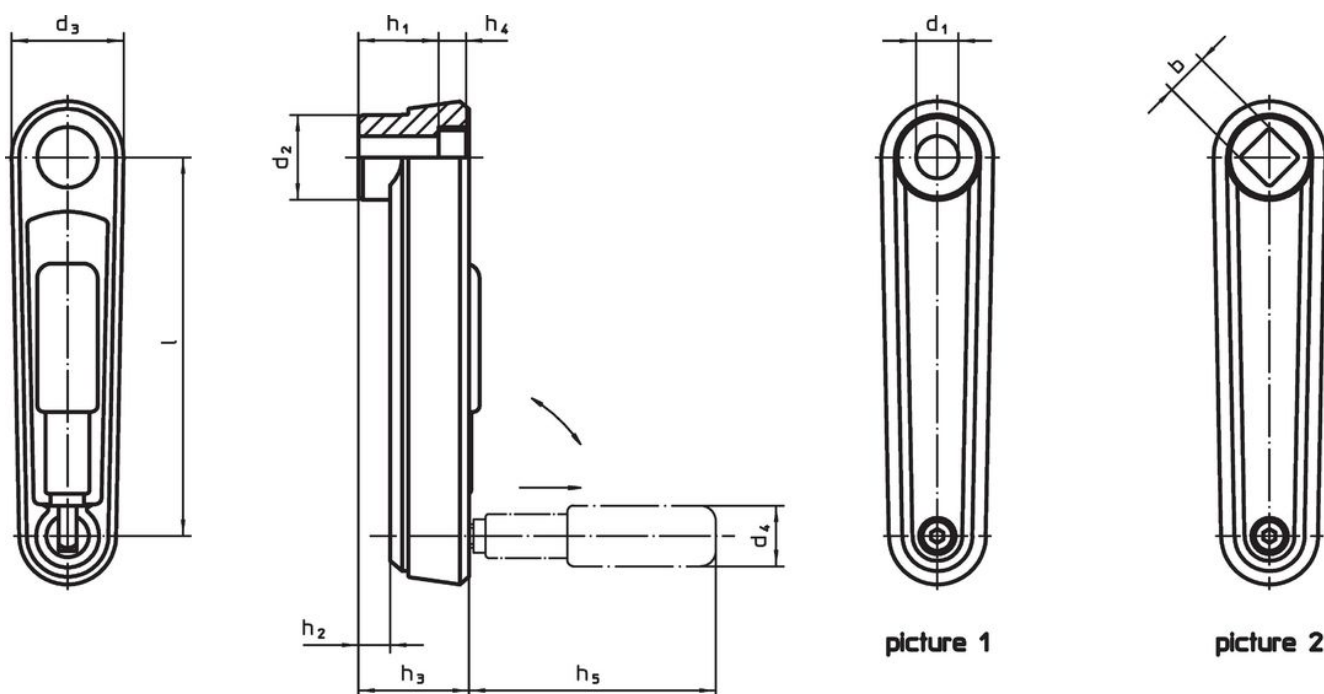
Covering

- Plastic, light grey

Operation


In the operating position the handle is locked. To move the handle to the rest position, it must be pulled out axially and flipped round.

Drawing



Order information

l	d ₁ H7	b H11	Dimensions							d ₄ Cylindrical handle Ø	[g]	Art. No.
			d ₂	d ₃	h ₁	h ₂ ~ [mm]	h ₃	h ₄	h ₅			
with smooth bore – picture 1, silver												
80	10	–	23.0	30	19.5	4.0	25.5	4.3	43.0	16	116	24331.0005
100	12	–	26.7	35	23.5	5.5	29.5	4.2	57.5	18	172	24331.0010
125	14	–	28.0	37	30.5	10.5	36.5	4.2	76.5	24	261	24331.0015
with smooth bore – picture 1, black												
80	10	–	23.0	30	19.5	4.0	25.5	4.3	43.0	16	116	24331.0105
100	12	–	26.7	35	23.5	5.5	29.5	4.2	57.5	18	172	24331.0110
125	14	–	28.0	37	30.5	10.5	36.5	4.2	76.5	24	261	24331.0115
with square shaft – picture 2, silver												
80	–	10	23.0	30	19.5	4.0	25.5	4.3	43.0	16	115	24331.0205
100	–	12	26.7	35	23.5	5.5	29.5	4.2	57.5	18	170	24331.0210
125	–	14	28.0	37	30.5	10.5	36.5	4.2	76.5	24	256	24331.0215

l	d ₁	b	d ₂	d ₃	h ₁	Dimensions					d ₄ Cylindrical handle Ø	 [g]	Art. No.
	H7	H11				h ₂	h ₃	h ₄	h ₅	[mm]			
with square shaft – picture 2, black													
80	–	10	23.0	30	19.5	4.0	25.5	4.3	43.0	16	115	24331.0305	
100	–	12	26.7	35	23.5	5.5	29.5	4.2	57.5	18	170	24331.0310	
125	–	14	28.0	37	30.5	10.5	36.5	4.2	76.5	24	256	24331.0315	

Compliance

For detailed compliance information please select the desired article number.