

Toggle Clamps Hook Type · with horizontal base

EH 23330.



Product Description

Due to their favourable power to movement ratio and their easy action the toggle clamps are versatile applicable for a wide range of uses.

The toggle clamps are manufactured from high quality components and are designed for maintenance-free continuous use.

An oil resistant ergonomic 2-component handle, with slip-proof, soft surface and large grip area for high ease of use.

Material

Clamp

- Steel, zinc-plated by galvanization, passivated
- Stainless steel

Rivet

- Stainless steel

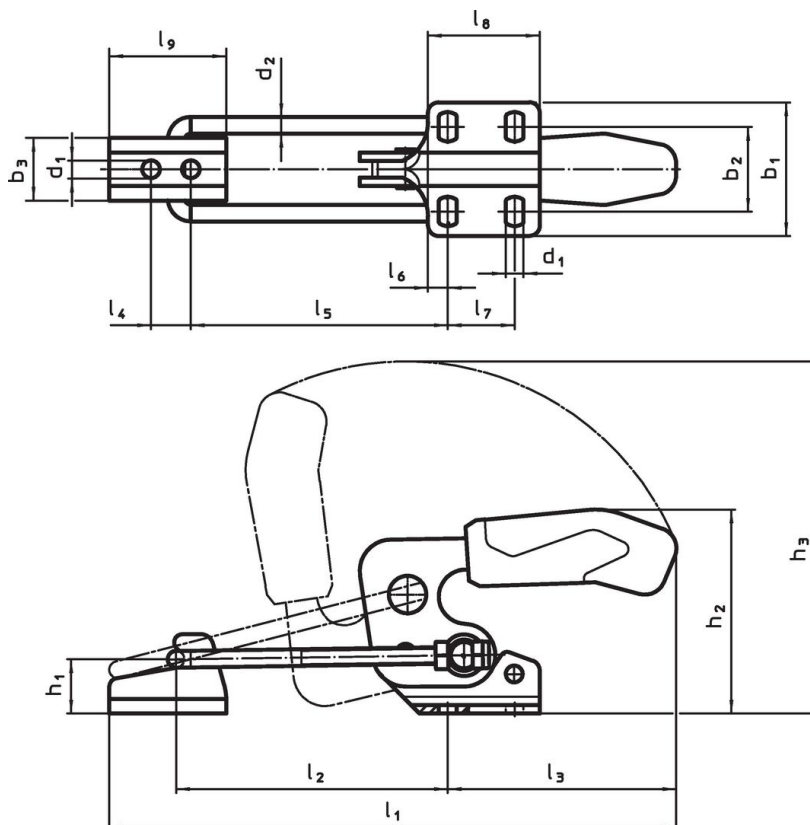
Handle

- plastic

Counter catch

- Steel, zinc-plated by galvanization, passivated
- Stainless steel



Drawing



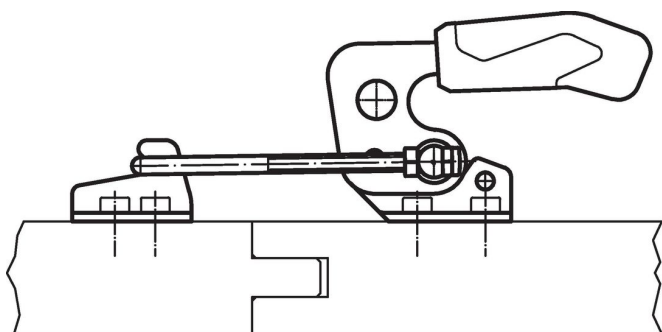
Order information

Nominal size	Dimensions																			Holding force		Temperature		Art. No.				
	d ₁	d ₂	b ₁	b ₂	b ₃	h ₁	h ₂	h ₃	l ₁ min.	l ₁ max.	l ₂ min.	l ₂ max.	l ₃	l ₄	l ₅ min.	l ₅ max.	l ₆	l ₇	l ₈	l ₉	F ₁ [kN]	min.	max.		[g]			
[mm]																										[°C]		
Steel																												
3	5.2	4	38.0	19.5 – 23.5	18	12	47.0	99.0	125	159	42.0	76	69	11	38.0	72	6.4	13	26.0	26	1.6	-10	80	143	23330.3003			
4	6.5	6	48.0	24.5 – 32.0	23	19	70.0	135.5	169	216	53.5	101	93	14	48.6	96	8.0	19	35.0	39	3.2	-10	80	365	23330.3004			
5	8.5	8	64.3	35.0 – 46.0	30	26	94.5	171.5	209	273	66.0	130	111	19	59.0	123	9.5	32	53.5	56	7.0	-10	80	821	23330.3005			
Stainless steel																												
3	5.2	4	38.0	19.5 – 23.5	18	12	47.0	99.0	125	159	42.0	76	69	11	38.0	72	6.4	13	26.0	26	1.6	-10	80	144	23330.3103			
4	6.5	6	48.0	24.5 – 32.0	23	19	70.0	135.5	169	216	53.5	101	93	14	48.6	96	8.0	19	35.0	39	3.2	-10	80	365	23330.3104			
5	8.5	8	64.3	35.0 – 46.0	30	26	94.5	171.5	209	273	66.0	130	111	19	59.0	123	9.5	32	53.5	56	7.0	-10	80	821	23330.3105			

Accessories

	Nominal size	l ₉	b ₃	d ₁	l ₄	Weight	Art. No.
		[mm]	[mm]	[mm]	[mm]		
Counter catch (accessories for toggle clamps hook type), Steel							
	3	26	18	5.2	11	15	23330.9023
	4	39	23	6.5	14	42	23330.9024
	5	56	30	8.5	19	108	23330.9025
Counter catch (accessories for toggle clamps hook type), Stainless steel							
 No Photo available	3	26	18	5.2	11	15	23330.9523
	4	39	23	6.5	14	42	23330.9524
	5	56	30	8.5	19	108	23330.9525

Application example



Compliance

For detailed compliance information please select the desired article number.