

## Positioning Rings · for down-thrust clamp

EH 23310.



### Product Description

After aligning, the clamp positioning ring is fitted on the spindle with the effect, that repeated clamping is always exactly on the same point. The positioning ring is adjustable 360° on the down-thrust clamp. After mounting, the clamping claw can swing 110° to the left or right (only for the swiveling versions).

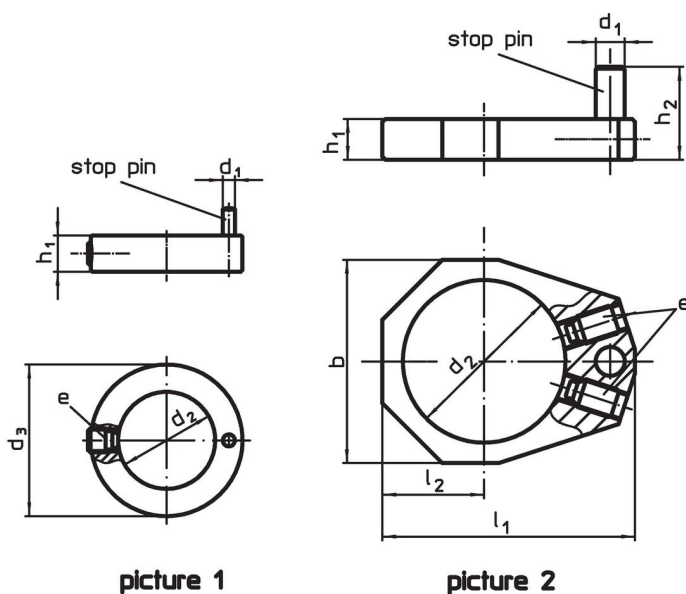
### Material

- Steel, blackened

### Assembly

Before mounting the positioning ring, pull-off the clamping claw of down-thrust clamp.

### Drawing



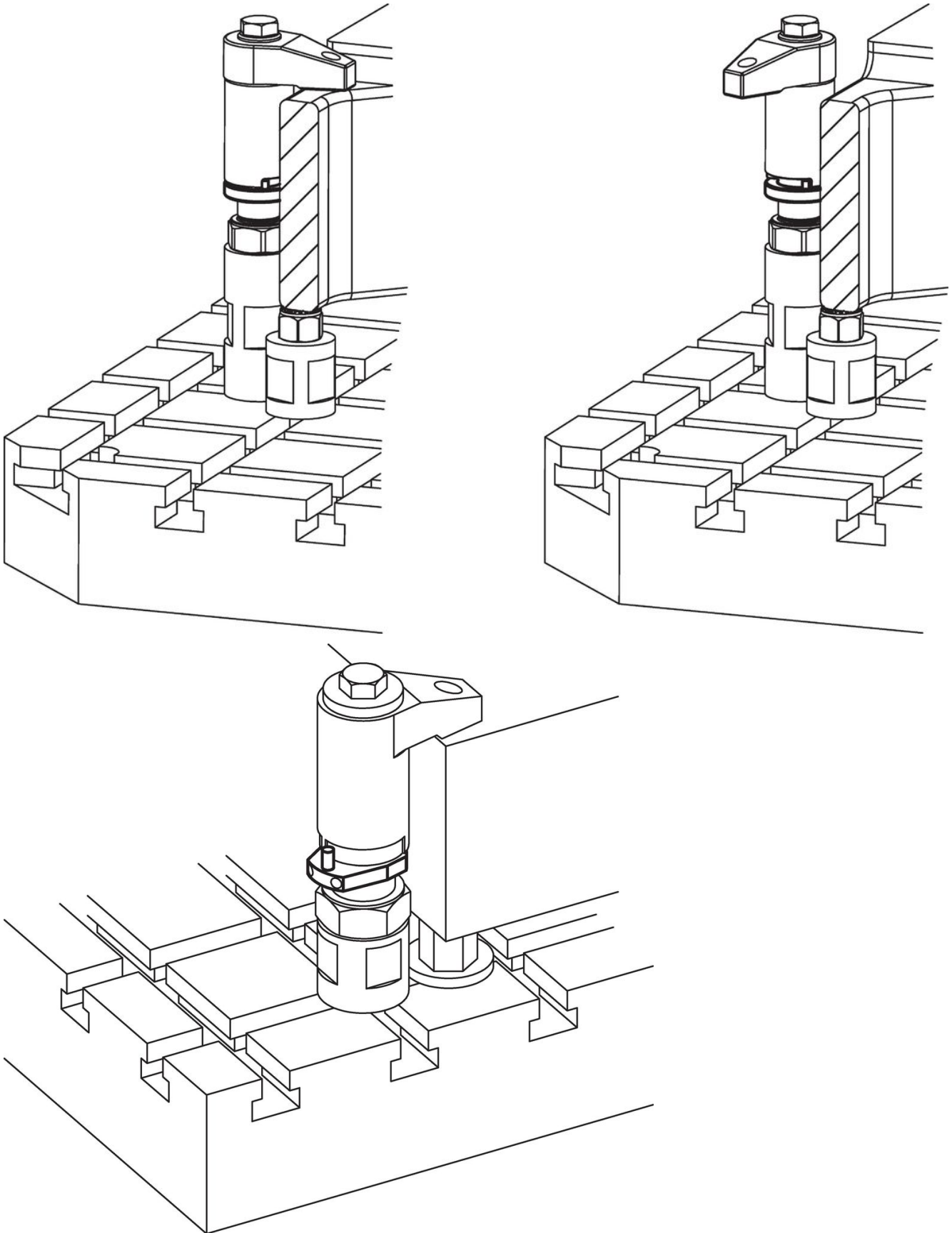
picture 1

picture 2

### Order information

Dimensions									For down-thrust clamp	[g]	Art. No.
$h_1$	$h_2$	$d_1$	$d_2$	$d_3$	$l_1$	$l_2$	$b$	$e$			
for down-thrust clamps size 25 – picture 1											
6	10	2	16	25	–	–	–	22760.0040	23310.0027 - 23310.0029	14	<a href="#">23310.0345</a>
for down-thrust clamps size 32 – picture 1											
6	10	3	20	32	–	–	–	22760.0042	23310.0040 - 23310.0045	23	<a href="#">23310.0348</a>
for down-thrust clamp, size 40 – picture 2											
7	16	5	28	–	43.5	17.5	35	22760.0052	23310.0050-.0058/23310.0083-.0088	32	<a href="#">23310.0350</a>
for down-thrust clamps size 60 – picture 2											
10	20	8	40	–	66.5	27.5	56	22760.0064	23310.0065, 23310.0067	151	<a href="#">23310.0360</a>
for down-thrust clamp, size 82,5 – picture 2											
15	40	10	62	–	93.0	39.0	78	22760.0104	23310.0070	355	<a href="#">23310.0351</a>

Application example



## Compliance

### RoHS compliant

Contains lead - compliant according to exceptions 6a / 6b / 6c.

### Contains SVHC substances >0,1% w/w

Contains lead - SVHC list [REACH] as of 27.06.2024.

### Contains Proposition 65 substances



Lead can cause cancer and reproductive harm from exposure  
<https://www.P65Warnings.ca.gov/>

### Free from Conflict Minerals

This product does not contain any substances designated as "conflict minerals" such as tantalum, tin, gold or tungsten from the Democratic Republic of Congo or adjacent countries.