

Down-Thrust Clamps · swivelling, size 32

EH 23310.



Product Description

Universal mechanical clamping element for fast and comfortable changing and clamping of workpieces by means of manually swivelling clamping claw.

The clamps have the following advantages:

- Rapid manual clamping by means of clamping screw, adjustable clamping lever or adjustable eccentric quick clamp.
 - Easy and quick changing of the workpiece by swinging away the clamping claw to the left or right. The positioning ring 23310.0348 allows infinitely variable adjustment.
 - The use of positioning ring 23310.0348 allows a repeatable precise clamping. Here h_1 min. increases by at least 6 mm (stroke minus 6 mm).
 - Compact design, thus little space taken-up for clamping.
 - Easy adjustment even to large clamping heights due to the height adjusting cylinders.
- As the force applied by the operator is not known for the versions with levers, the clamping force is given in the tables as a guide value. The average value was determined by tests.

Material

Clamp

- Case-hardened steel, case-hardened, blackened and ground

Tension lever

- Zinc die-cast, plastic coated, orange similar to RAL 2004, matt structure
- Zinc die-cast, plastic coated, black, similar to RAL 9005

Assembly

Down-thrust clamps can be attached in two ways:

1. in a T-slot, using a nut for T-slots DIN 508 (EH 23010.)

2. with the set screw directly in the mounting plate of, for example, a fixture

The cylinder must make contact over the whole surface.

More information

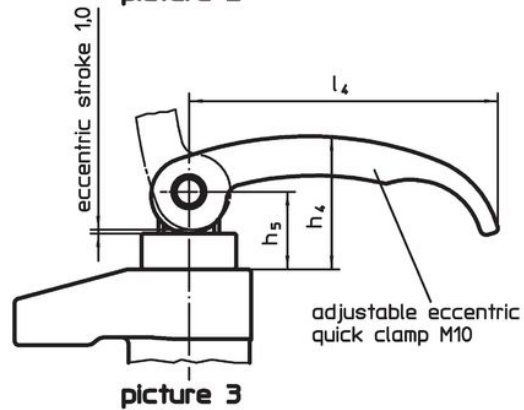
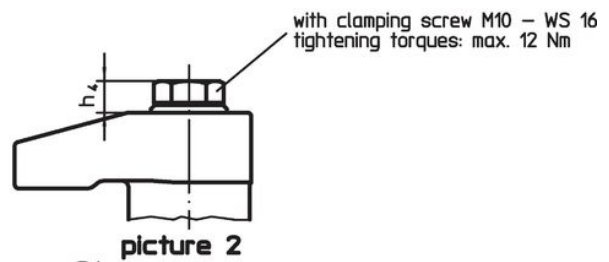
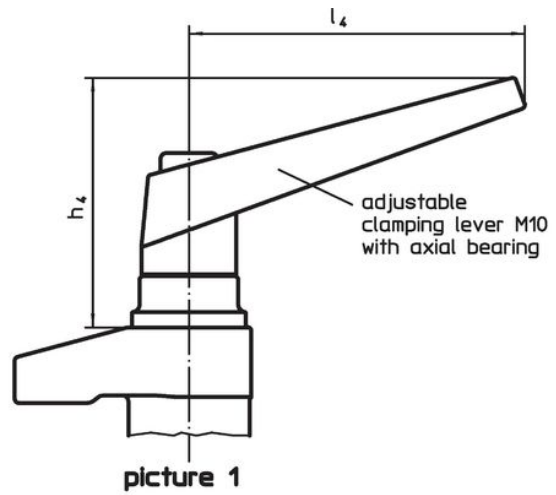
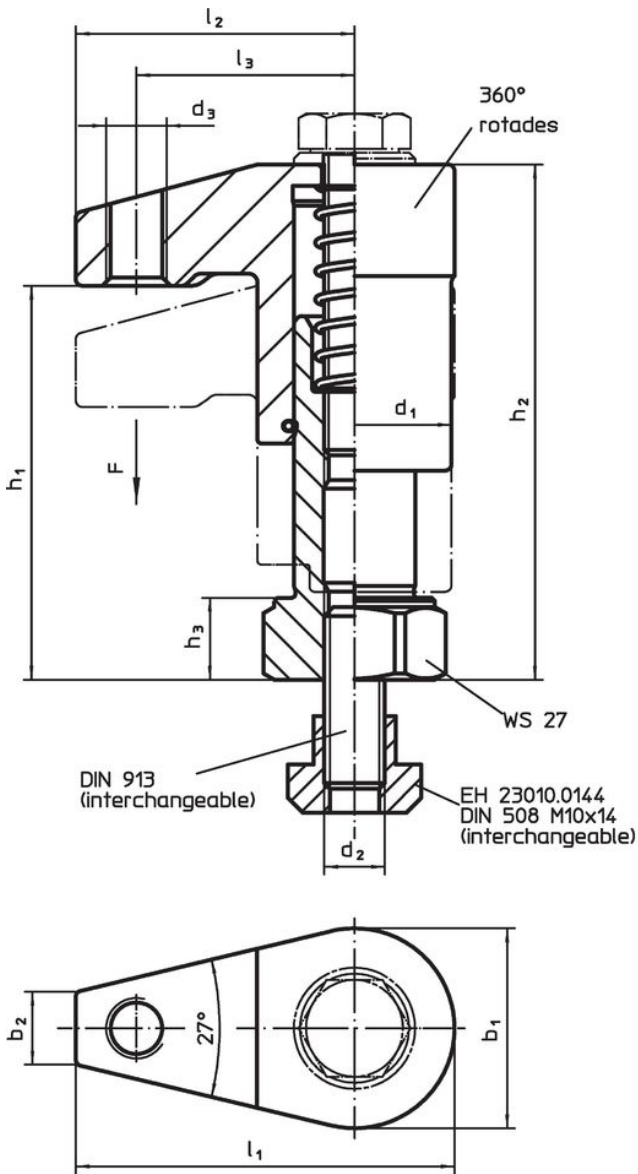
References

The clamping height can be increased with height adjusting cylinders EH 23310. and reduced with the clamping inserts, e.g. EH 22730.

Further products

- Positioning Rings, for down-thrust clamp
- Height Adjusting Cylinders

Drawing

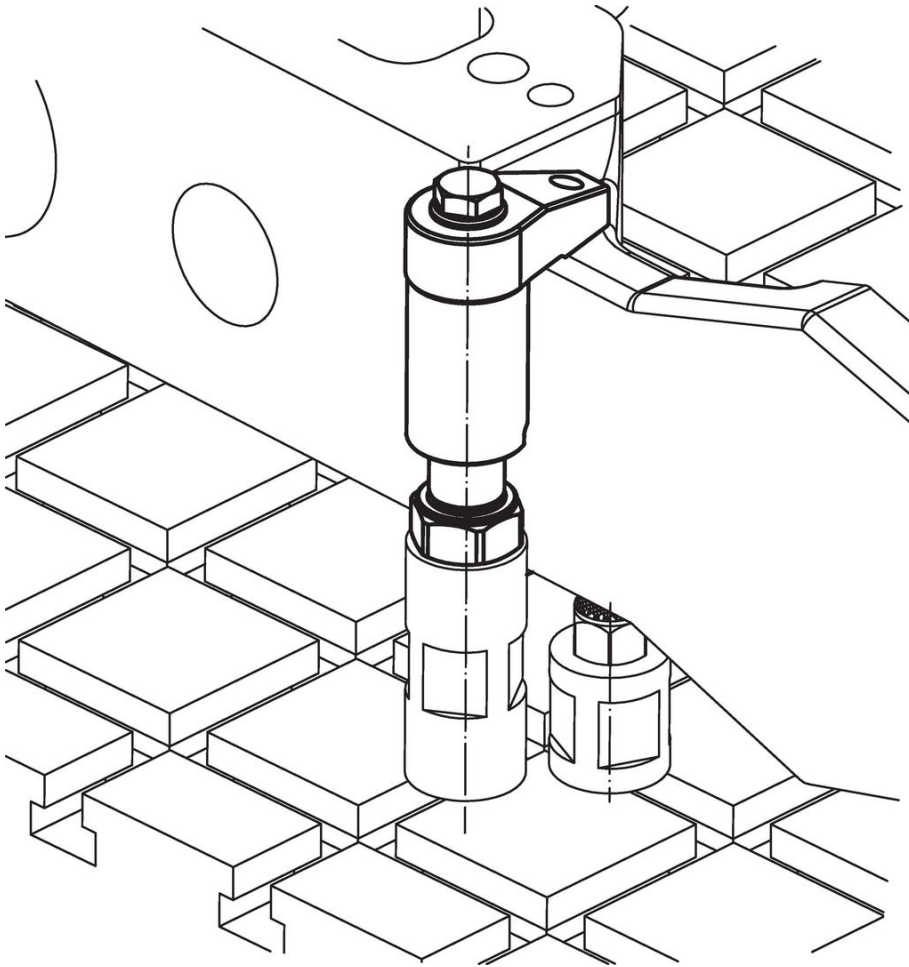


Order information

Dimensions														Stroke	Clampin force	Tightening torque max.	Weight	Art. No.
d ₁	b ₁	b ₂	d ₂	d ₃	h ₁	h ₂	h ₃	h ₄	h ₅	l ₁	l ₂	l ₃	l ₄					
[mm]																		
with adjustable clamping lever with axial bearing – picture 1																		
32	33	12	M10	M10	45 – 65	65 – 85	13	66.0	–	62.5	46	36	89	20	4.5 ¹⁾	–	729	23310.0040
32	33	12	M10	M10	63 – 88	83 – 108	13	66.0	–	62.5	46	36	89	20	4.5 ¹⁾	–	838	23310.0043
with clamping screw – picture 2																		
32	33	12	M10	M10	45 – 65	65 – 85	13	8.4	–	62.5	46	36	–	20	7.5	12	512	23310.0041
32	33	12	M10	M10	63 – 88	83 – 108	13	8.4	–	62.5	46	36	–	20	7.5	12	620	23310.0044
with eccentric quick clamp, adjustable – picture 3																		
32	33	12	M10	M10	45 – 65	65 – 85	13	35.0	20.5	62.5	46	36	82	20	3.0 ¹⁾	–	559	23310.0042
32	33	12	M10	M10	63 – 88	83 – 108	13	35.0	20.5	62.5	46	36	82	20	3.0 ¹⁾	–	666	23310.0045

¹⁾ Average value established in trials.

Application example



Compliance

RoHS compliant

Contains lead - compliant according to exceptions 6a / 6b / 6c.

Contains SVHC substances >0,1% w/w

Contains lead - SVHC list [REACH] as of 23.01.2024.

Contains Proposition 65 substances



Lead can cause cancer and reproductive harm from exposure
<https://www.P65Warnings.ca.gov/>

Free from Conflict Minerals

This product does not contain any substances designated as "conflict minerals" such as tantalum, tin, gold or tungsten from the Democratic Republic of Congo or adjacent countries.