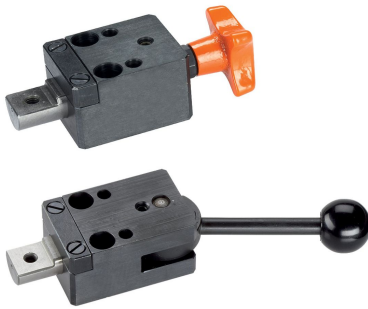


Locating Clamps

EH 23230.



Product Description

Suitable for a simultaneous "positioning" and "clamping" of workpieces. The locating element is a precision element which can be assembled from either side. The clamping and locating part adapted to the workpiece is screwed to the cylindrical support. Clamping and locating parts are manufactured by the user according to the individual requirements.

Material

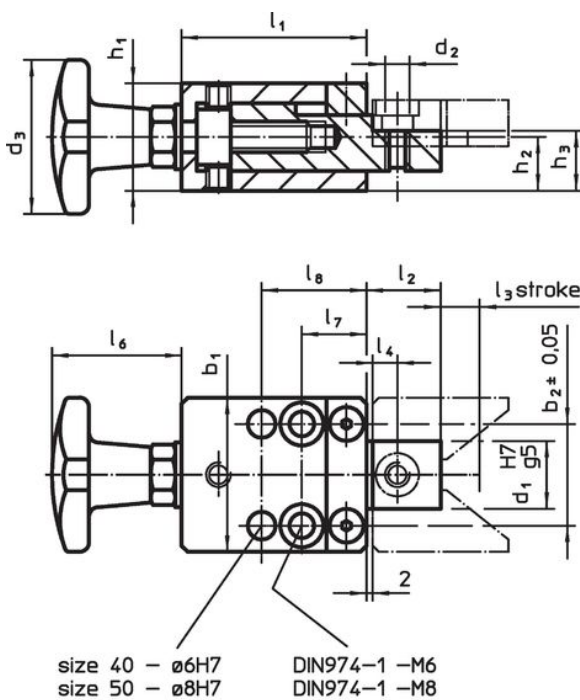
Handle

- Grey cast iron DIN 6335, orange plastic-coated
- Thermosetting plastic PF 31, black, DIN 319

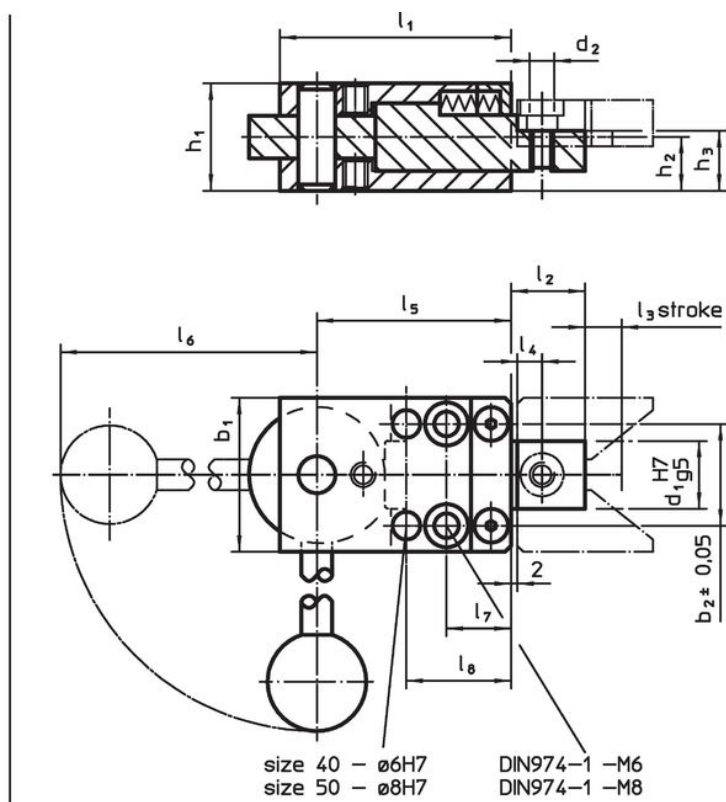
Clamp

- Steel, case-hardened, blackened, ground

Drawing



picture 1

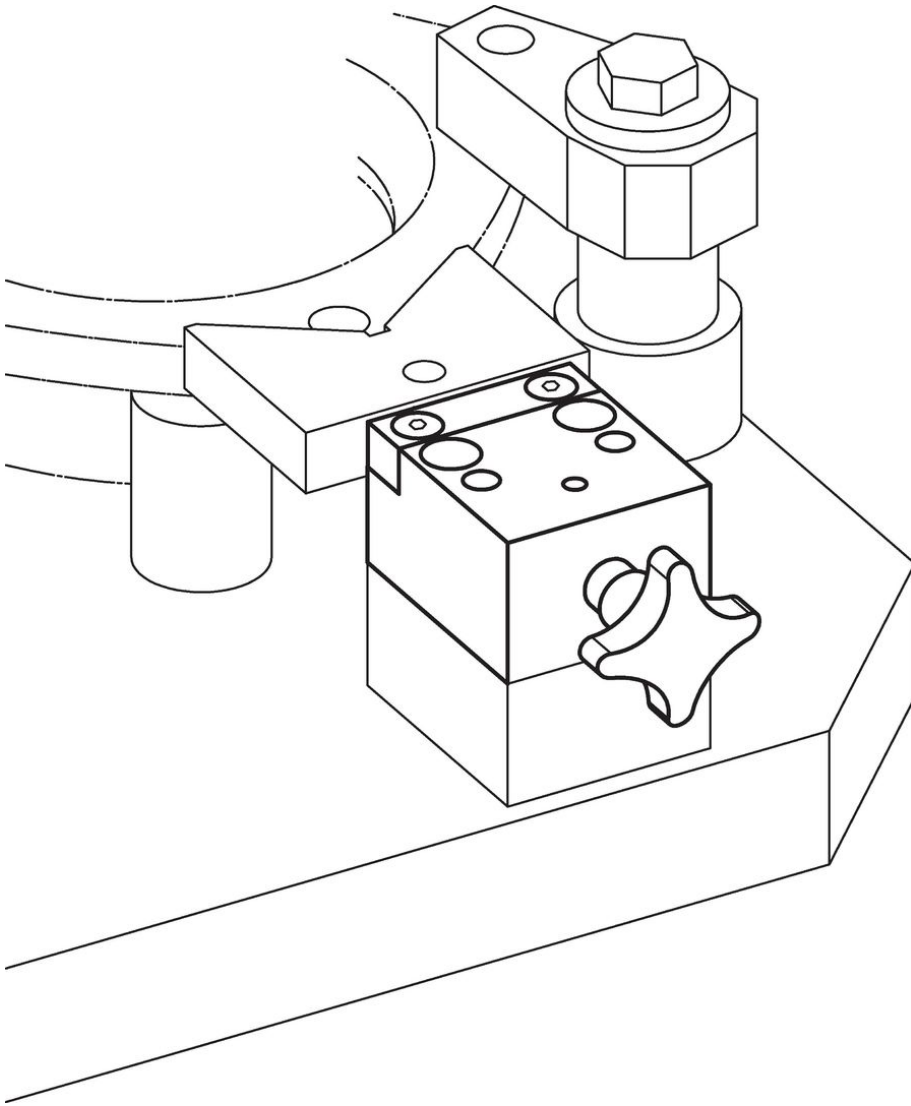


picture 2

Order information

b ₁	b ₂ ±0.05	d ₁ H7 g5	d ₂	d ₃	h ₁	h ₂	Dimensions										[g]	Art. No.
							h ₃	l ₁	l ₂	l ₃	l ₄	l ₅	l ₆	l ₇	l ₈			
[mm]																		
with palm grip – picture 1																		
40	27	18	M6	40	29.8	14.9	16.9	50	19	9	8	-	33	17	28	505	23230.0040	
50	33	22	M8	50	34.8	17.4	19.4	60	24	10	10	-	42	21	34	862	23230.0050	
with spiral eccentric clamping lever – picture 2																		
40	27	18	M6	-	29.8	14.9	16.9	60	19	3	8	50	96	17	28	566	23230.0440	
50	33	22	M8	-	34.8	17.4	19.4	75	24	4	10	63	145	21	34	1071	23230.0450	

Application example



Compliance

For detailed compliance information please select the desired article number.