

Clamps · with soft face, similar to DIN 6314

EH 23190.



Product Description

This clamp (clamping claw) according to DIN 6314 with soft face is mainly used in mechanical clamping technology for clamping workpieces. The soft face protects the workpiece from damage. With the combination of nut DIN 6330 B (EH 23070./conical seat DIN 6319 G (EH 23050.) on the clamping bolt and thrust pad DIN 6311 (EH 22560. removable) on the adjusting screw compensates for the lack of parallelity. The clamp can be used either way (soft or hard clamping surface).

Material

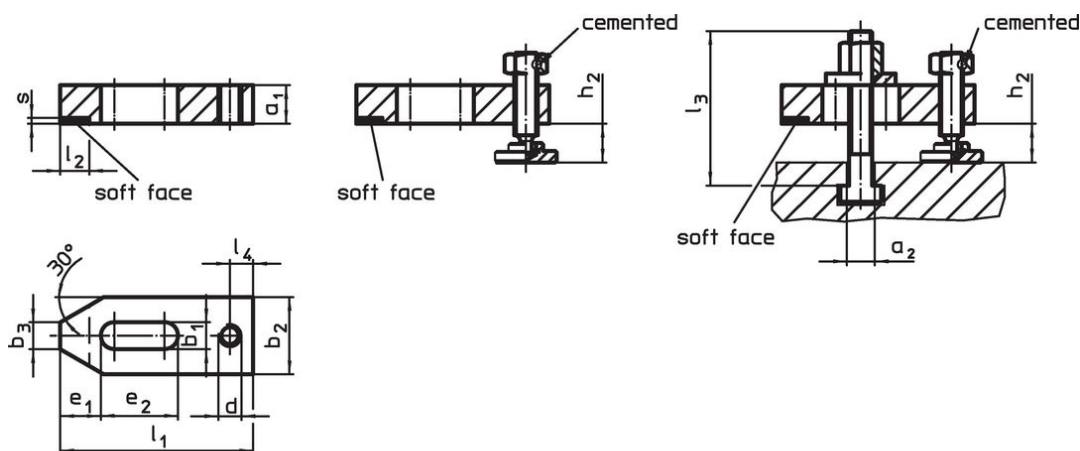
Soft face

- Brass, brazed

Clamp

- Heat-treated steel, blackened

Drawing



picture 1

picture 2

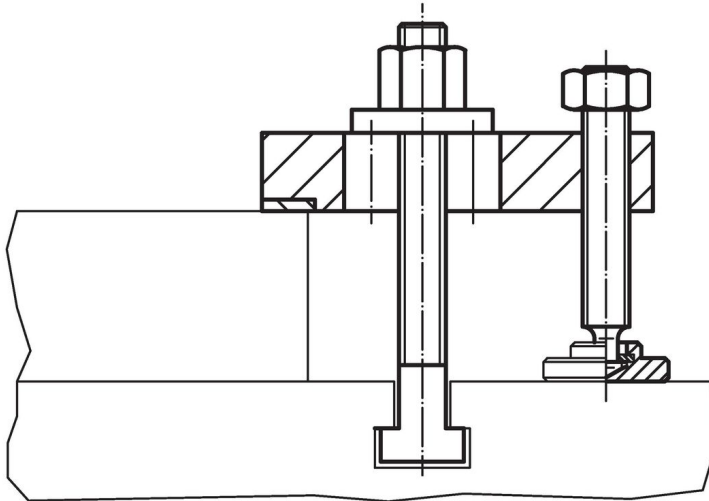
picture 3

Order information

Nominal dimension b ₁ [mm]	Dimensions												T-slot size [mm]	Clamping height		[g]	Art. No.
	a ₁	l ₃	a ₂	b ₂	b ₃	d	e ₁	e ₂	l ₁	l ₂ ±1	l ₄	s		h ₂ min.	h ₂ max.		
without accessories – picture 1																	
9	12	–	–	25	10	M 8	13	22	60	10	8	2	–	–	–	111	23190.0010
11	15	–	–	30	12	M10	15	30	80	12	10	2	–	–	–	221	23190.0020
14	20	–	–	40	14	M12	21	40	100	15	12	3-0.5	–	–	–	478	23190.0030
18	25	–	–	50	18	M16	26	45	125	20	16	3-0.5	–	–	–	949	23190.0040
only with adjusting screw – picture 2																	
9	12	–	–	25	10	M 8	13	22	60	10	8	2	–	8	23	150	23190.0011
9	12	–	–	25	10	M 8	13	22	60	10	8	2	–	8	43	160	23190.0012
11	15	–	–	30	12	M10	15	30	80	12	10	2	–	10	38	295	23190.0021
11	15	–	–	30	12	M10	15	30	80	12	10	2	–	10	58	310	23190.0022
14	20	–	–	40	14	M12	21	40	100	15	12	3-0.5	–	10	31	590	23190.0031
14	20	–	–	40	14	M12	21	40	100	15	12	3-0.5	–	10	71	620	23190.0032
18	25	–	–	50	18	M16	26	45	125	20	16	3-0.5	–	12	42	1150	23190.0041
18	25	–	–	50	18	M16	26	45	125	20	16	3-0.5	–	12	87	1220	23190.0042
with adjusting screw and clamping bolt – picture 3																	
9	12	50	7.6	25	10	M 8	13	22	60	10	8	2	8	8	16	200	23190.0015
9	12	80	7.6	25	10	M 8	13	22	60	10	8	2	8	8	43	220	23190.0016
11	15	65	9.6	30	12	M10	15	30	80	12	10	2	10	10	22	385	23190.0025
11	15	100	9.6	30	12	M10	15	30	80	12	10	2	10	10	58	420	23190.0026
14	20	80	11.6	40	14	M12	21	40	100	15	12	3-0.5	12	10	28	740	23190.0035

Nominal dimension b_1 [mm]	Dimensions												T-slot size [mm]	Clamping height		Art. No.	
	a_1	l_3	a_2	b_2	b_3	d	e_1	e_2	l_1	l_2 ± 1	l_4	s		h_2 min.	h_2 max.		
	[mm]													[mm]	[mm]		[g]
14	20	125	11.6	40	14	M12	21	40	100	15	12	3-0.5	12	10	71	805	23190.0036
14	20	80	13.6	40	14	M12	21	40	100	15	12	3-0.5	14	10	26	755	23190.0037
14	20	125	13.6	40	14	M12	21	40	100	15	12	3-0.5	14	10	71	820	23190.0038
18	25	100	15.6	50	18	M16	26	45	125	20	16	3-0.5	16	12	31	1470	23190.0045
18	25	160	15.6	50	18	M16	26	45	125	20	16	3-0.5	16	12	87	1630	23190.0046
18	25	100	17.6	50	18	M16	26	45	125	20	16	3-0.5	18	12	32	1490	23190.0047
18	25	160	17.6	50	18	M16	26	45	125	20	16	3-0.5	18	12	87	1650	23190.0048

Application example



Compliance

For detailed compliance information please select the desired article number.