

Spherical Washers / Conical Seats • similar to DIN 6319, stainless steel

EH 23050.



Product Description

Spherical washers / Conical seats are used as washers in a screw connection to compensate non-parallel surfaces.

Material

Conical seat

- Stainless steel 1.4305
- Stainless steel A4

Spherical washer

- Stainless steel 1.4305
- Stainless steel A4

Assembly

Conical seats form D are to be used only for plain, closed round areas.
For larger holes only use form G!

Characteristic

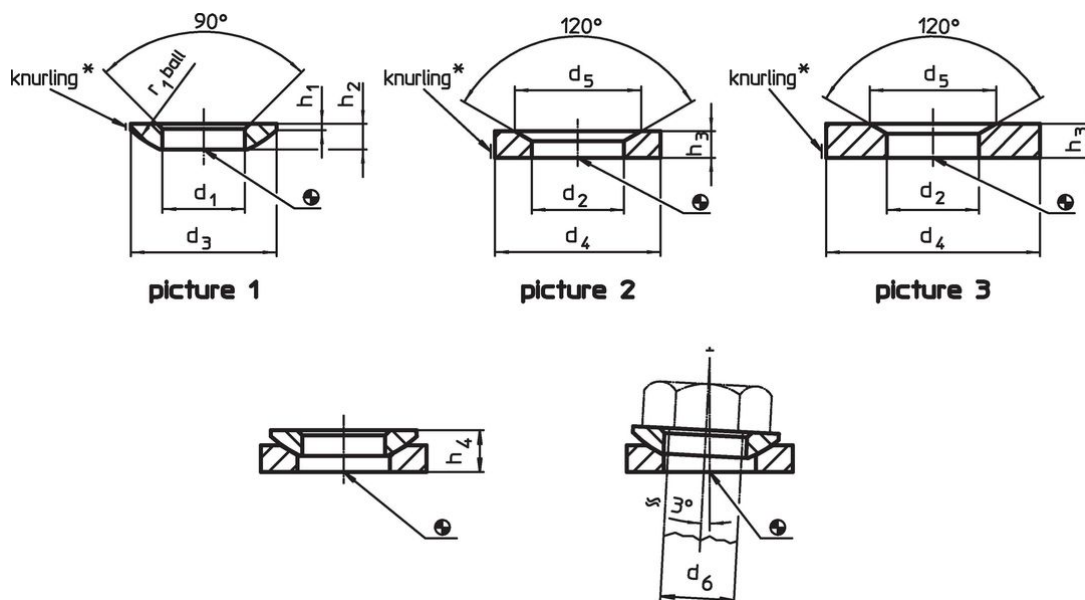
Types from stainless steel A4 with marking (knurling) according drawing.

More information

Further products

- Spherical Washers / Conical Seats, DIN 6319
- Fixture Nuts, DIN 6330 (height 1,5 d)

Drawing




* Knurling = material identification for stainless steel A4 type


Order information

Dimensions											For pin d_6	For screws d_6	Load capacity for static load max.	Torque for screwed connections ¹⁾ max.	Art. No.	
d_1	d_2	d_3	d_4	d_5	h_1	h_2	h_3	h_4		r_1						
H13	H13							with conical seat form D	with conical seat form G							
[mm]											[mm]	[mm]	[kN]	[Nm]	[g]	
spherical washers from stainless steel, form C – picture 1, Stainless steel 1.4305																
6.4	–	12	–	–	0.7	2.3	–	4.0	5.2	9	6	M 6	6	6	1.0	23050.0306
8.4	–	17	–	–	0.6	3.2	–	5.3	6.8	12	8	M 8	12	16	2.8	23050.0308
10.5	–	21	–	–	0.8	4.0	–	6.3	7.1	15	10	M10	16	32	5.0	23050.0310
13.0	–	24	–	–	1.1	4.6	–	7.9	8.9	17	12	M12	24	56	7.7	23050.0312
17.0	–	30	–	–	1.3	5.3	–	9.3	10.1	22	16	M16	45	135	13.0	23050.0316
21.0	–	36	–	–	2.0	6.3	–	11.6	12.1	27	20	M20	71	280	23.0	23050.0320
25.0	–	44	–	–	2.4	8.2	–	14.9	15.4	32	24	M24	105	455	46.0	23050.0324

¹⁾ Torques of screws with standard thread, eventual pre-loads to be considered, coefficient of friction μ_{total} 0.14.

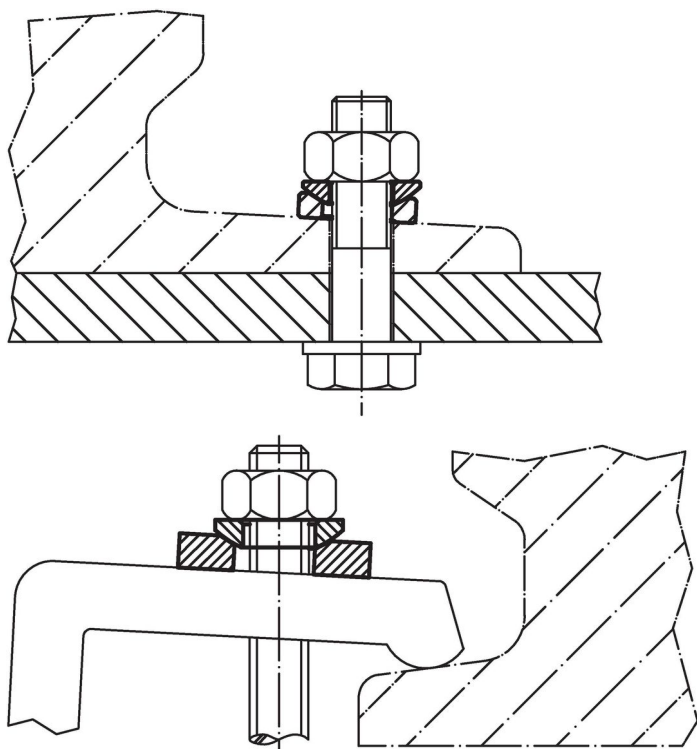
d ₁ H13	d ₂ H13	d ₃	d ₄	d ₅	Dimensions					r ₁	For pin d ₆	For screws d ₆	Load capacity for static load max.	Torque for screwed connections ¹⁾ max.		Art. No.	
					h ₁	h ₂	h ₃	h ₄									
					with conical seat form D		with conical seat form G										
[mm]															[kN]	[Nm]	[g]
31.0	-	56	-	-	3.6	11.2	-	18.8	18.8	41	30	M30	191	1050	104.0	23050.0330	
37.0	-	68	-	-	4.6	14.0	-	23.4	-	50	36	M36	-	-	193.0	23050.0336	
43.0	-	78	-	-	6.5	17.0	-	28.3	-	58	42	M42	-	-	313.0	23050.0342	
50.0	-	92	-	-	8.0	21.0	-	35.0	-	67	48	M48	-	-	545.0	23050.0348	
spherical washers from stainless steel, form C – picture 1, Stainless steel A4																	
6.4	-	12	-	-	0.7	2.3	-	4.0	5.2	9	6	M 6	6	6	1.0	23050.0606	
8.4	-	17	-	-	0.6	3.2	-	5.3	6.8	12	8	M 8	12	16	2.8	23050.0608	
10.5	-	21	-	-	0.8	4.0	-	6.3	7.1	15	10	M10	16	32	5.0	23050.0610	
13.0	-	24	-	-	1.1	4.6	-	7.9	8.9	17	12	M12	24	56	7.7	23050.0612	
17.0	-	30	-	-	1.3	5.3	-	9.3	10.1	22	16	M16	45	135	13.0	23050.0616	
21.0	-	36	-	-	2.0	6.3	-	11.6	12.1	27	20	M20	71	280	23.0	23050.0620	
25.0	-	44	-	-	2.4	8.2	-	14.9	15.4	32	24	M24	105	455	46.0	23050.0624	
31.0	-	56	-	-	3.6	11.2	-	18.8	18.8	41	30	M30	191	1050	104.0	23050.0630	
37.0	-	68	-	-	4.6	14.0	-	23.4	-	50	36	M36	-	-	193.0	23050.0636	
43.0	-	78	-	-	6.5	17.0	-	28.3	-	58	42	M42	-	-	313.0	23050.0642	
50.0	-	92	-	-	8.0	21.0	-	35.0	-	67	48	M48	-	-	545.0	23050.0648	
conical seats from stainless steel, form D – picture 2, Stainless steel 1.4305																	
-	7.1	-	12	11.0	-	-	2.8	-	-	-	6	M 6	6	6	1.3	23050.0406	
-	9.6	-	17	14.5	-	-	3.5	-	-	-	8	M 8	12	16	3.7	23050.0408	
-	12.0	-	21	18.5	-	-	4.2	-	-	-	10	M10	16	32	6.6	23050.0410	
-	14.2	-	24	20.0	-	-	5.0	-	-	-	12	M12	24	56	10.0	23050.0412	
-	19.0	-	30	26.0	-	-	6.2	-	-	-	16	M16	45	135	19.0	23050.0416	
-	23.2	-	36	31.0	-	-	7.5	-	-	-	20	M20	71	280	32.0	23050.0420	
-	28.0	-	44	37.0	-	-	9.5	-	-	-	24	M24	105	455	63.0	23050.0424	
-	35.0	-	56	49.0	-	-	12.0	-	-	-	30	M30	191	1050	127.0	23050.0430	
-	42.0	-	68	60.0	-	-	15.0	-	-	-	36	M36	-	-	234.0	23050.0436	
-	49.0	-	78	70.0	-	-	18.0	-	-	-	42	M42	-	-	362.0	23050.0442	
-	56.0	-	92	82.0	-	-	22.0	-	-	-	48	M48	-	-	642.0	23050.0448	
conical seats from stainless steel, form D – picture 2, Stainless steel A4																	
-	7.1	-	12	11.0	-	-	2.8	-	-	-	6	M 6	6	6	1.3	23050.0666	
-	9.6	-	17	14.5	-	-	3.5	-	-	-	8	M 8	12	16	3.7	23050.0668	
-	12.0	-	21	18.5	-	-	4.2	-	-	-	10	M10	16	32	6.6	23050.0670	
-	14.2	-	24	20.0	-	-	5.0	-	-	-	12	M12	24	56	10.0	23050.0672	
-	19.0	-	30	26.0	-	-	6.2	-	-	-	16	M16	45	135	19.0	23050.0676	
-	23.2	-	36	31.0	-	-	7.5	-	-	-	20	M20	71	280	32.0	23050.0680	
-	28.0	-	44	37.0	-	-	9.5	-	-	-	24	M24	105	455	63.0	23050.0684	
-	35.0	-	56	49.0	-	-	12.0	-	-	-	30	M30	191	1050	127.0	23050.0686	
-	42.0	-	68	60.0	-	-	15.0	-	-	-	36	M36	-	-	234.0	23050.0688	
-	49.0	-	78	70.0	-	-	18.0	-	-	-	42	M42	-	-	362.0	23050.0692	
-	56.0	-	92	82.0	-	-	22.0	-	-	-	48	M48	-	-	642.0	23050.0694	
conical seats from stainless steel, form G – picture 3, Stainless steel 1.4305																	
-	7.1	-	17	11.0	-	-	4.0	-	-	-	6	M 6	6	6	5.8	23050.0466	
-	9.6	-	24	14.5	-	-	5.0	-	-	-	8	M 8	12	16	15.0	23050.0468	
-	12.0	-	30	18.5	-	-	5.0	-	-	-	10	M10	16	32	22.0	23050.0470	
-	14.2	-	36	20.0	-	-	6.0	-	-	-	12	M12	24	56	40.0	23050.0472	
-	19.0	-	44	26.0	-	-	7.0	-	-	-	16	M16	45	135	66.0	23050.0476	
-	23.2	-	50	31.0	-	-	8.0	-	-	-	20	M20	71	280	95.0	23050.0480	
-	28.0	-	60	37.0	-	-	10.0	-	-	-	24	M24	105	455	171.0	23050.0484	
-	35.0	-	68	49.0	-	-	12.0	-	-	-	30	M30	191	1050	236.0	23050.0490	
conical seats from stainless steel, form G – picture 3, Stainless steel A4																	
-	7.1	-	17	11.0	-	-	4.0	-	-	-	6	M 6	6	6	5.8	23050.0706	
-	9.6	-	24	14.5	-	-	5.0	-	-	-	8	M 8	12	16	15.0	23050.0708	
-	12.0	-	30	18.5	-	-	5.0	-	-	-	10	M10	16	32	22.0	23050.0710	
-	14.2	-	36	20.0	-	-	6.0	-	-	-	12	M12	24	56	40.0	23050.0712	

¹⁾ Torques of screws with standard thread, eventual pre-loads to be considered, coefficient of friction μ_{total} 0.14.

d ₁ H13	d ₂ H13	d ₃	d ₄	d ₅	Dimensions					r ₁	For pin d ₆	For screws d ₆	Load capacity for static load max.	Torque for screwed connections ¹⁾ max.		Art. No.
					h ₁	h ₂	h ₃	h ₄ with conical seat form D	h ₄ with conical seat form G							
-	19.0	-	44	26.0	-	-	7.0	-	-	-	16	M16	45	135	66.0	23050.0716
-	23.2	-	50	31.0	-	-	8.0	-	-	-	20	M20	71	280	95.0	23050.0720
-	28.0	-	60	37.0	-	-	10.0	-	-	-	24	M24	105	455	171.0	23050.0724
-	35.0	-	68	49.0	-	-	12.0	-	-	-	30	M30	191	1050	236.0	23050.0730

¹⁾ Torques of screws with standard thread, eventual pre-loads to be considered, coefficient of friction μ_{total} 0.14.

Application example



Compliance

RoHS compliant

Compliant according to Directive 2011/65/EU and Directive 2015/863.

Does not contain SVHC substances

No SVHC substances with more than 0.1% w/w contained - SVHC list [REACH] as of 23.01.2024.

Does not contain Proposition 65 substances

No Proposition 65 substances included.

<https://www.P65Warnings.ca.gov/>

Free from Conflict Minerals

This product does not contain any substances designated as "conflict minerals" such as tantalum, tin, gold or tungsten from the Democratic Republic of Congo or adjacent countries.