

Studs • DIN 6379 for nuts for T-slots

EH 23040.



Product Description

Studs combined with T-nuts DIN 508 (EH 23010./23020.), fixture nuts DIN 6330 (EH 23070.) and plain washers DIN 6340 (EH 23060.) become complete clamping studs. These studs are characterised by the rolled thread.

Material

- Heat-treated steel

More information

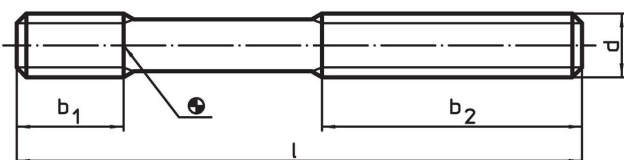
References

For torques and strengths please refer to appendix - Technical Data - Studs with elongated dimension b_1 also available.

Further products

- Nuts for T-Slots, DIN 508
- Studs, DIN 6379 b_1 long for nuts for T-slots
- Studs, with internal hexagon, similar to DIN 6379, for nuts for T-slots
- Shaft / Plain Washers, DIN 6340 heat-treated
- Fixture Nuts, DIN 6330 (height 1,5 d)

Drawing



Order information

d	l	Dimensions		[g]	Art. No.
		b ₁	b ₂		
quality 10.9					
		[mm]			
M 6	32	9	16	5.3	23040.0061 ¹⁾
M 6	50	9	30	8.4	23040.0062
M 6	63	9	40	11.0	23040.0064 ¹⁾
M 6	80	9	50	13.0	23040.0063
M 8	40	11	20	12.0	23040.0081
M 8	63	11	40	19.0	23040.0082
M 8	100	11	63	31.0	23040.0083
M 8	160	11	100	49.0	23040.0084 ¹⁾
M10	50	13	25	24.0	23040.0101
M10	80	13	50	39.0	23040.0102
M10	100	13	75	50.0	23040.0106 ¹⁾
M10	125	13	75	61.0	23040.0103
M10	160	13	100	78.0	23040.0105 ¹⁾
M10	200	13	122 ²⁾	98.0	23040.0104
M12	50	15	25	35.0	23040.0121
M12	63	15	32	44.0	23040.0122 ¹⁾
M12	80	15	50	56.0	23040.0123

¹⁾ DIN standards do not include these dimensions.

²⁾ Dimension differ from DIN standard.

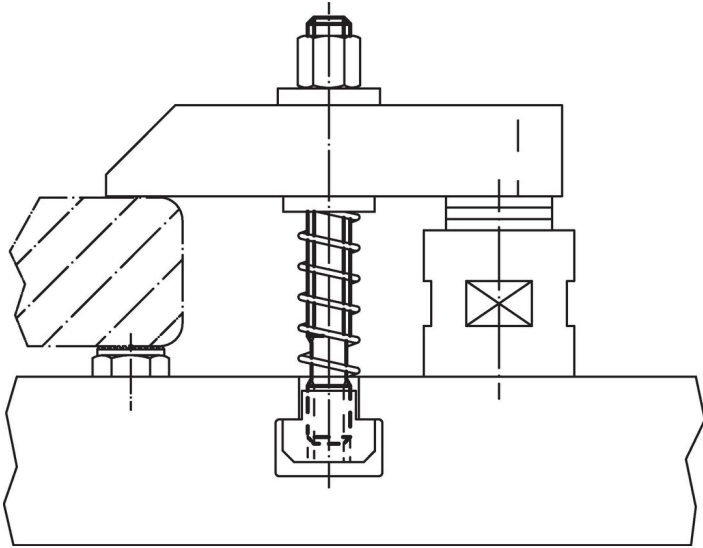
d	Dimensions			[g]	Art. No.
	l	b ₁	b ₂		
[mm]					
M12	100	15	63	70.0	23040.0124 ¹⁾
M12	125	15	75	88.0	23040.0125
M12	160	15	100	112.0	23040.0127 ¹⁾
M12	200	15	122 ²⁾	141.0	23040.0126
quality 8.8					
M14	63	17	32	60.0	23040.0141 ¹⁾
M14	100	17	63	96.0	23040.0142 ¹⁾
M14	160	17	100	154.0	23040.0143 ¹⁾
M14	250	17	160	241.0	23040.0144 ¹⁾
M16	63	19	32	80.0	23040.0161
M16	80	19	50	103.0	23040.0162 ¹⁾
M16	100	19	63	129.0	23040.0163
M16	125	19	75	162.0	23040.0164 ¹⁾
M16	160	19	100	207.0	23040.0165
M16	200	19	122 ²⁾	260.0	23040.0167 ¹⁾
M16	250	19	160	325.0	23040.0166
M16	315	19	180	409.0	23040.0168 ¹⁾
M16	500	19	315	652.0	23040.0169 ¹⁾
M20	80	27	32	160.0	23040.0201
M20	125	27	70	252.0	23040.0202
M20	160	27	100	323.0	23040.0207 ¹⁾
M20	200	27	122 ²⁾	405.0	23040.0203
M20	250	27	160	508.0	23040.0204 ¹⁾
M20	315	27	200 ²⁾	639.0	23040.0205
M20	400	27	250	815.0	23040.0208 ¹⁾
M20	500	27	315	548.0	23040.0206 ¹⁾
M24	100	35	45	289.0	23040.0241
M24	125	35	70 ²⁾	380.0	23040.0246 ¹⁾
M24	160	35	100	466.0	23040.0242
M24	200	35	122 ²⁾	585.0	23040.0247 ¹⁾
M24	250	35	160	730.0	23040.0243
M24	315	35	190	923.0	23040.0248 ¹⁾
M24	400	35	250	1173.0	23040.0244
M24	500	35	315	1466.0	23040.0249 ¹⁾
M24	630	35	315	1860.0	23040.0245 ¹⁾
M30	125	43	56	573.0	23040.0301
M30	200	43	122 ²⁾	921.0	23040.0302
M30	315	43	200 ²⁾	1462.0	23040.0303
M30	500	43	315	2000.0	23040.0304
M30	700	43	400	3000.0	23040.0305 ¹⁾
M36	160	51	80	1065.0	23040.0361
M36	250	51	160	1674.0	23040.0362
M36	400	51	250	3000.0	23040.0363

¹⁾ DIN standards do not include these dimensions.

²⁾ Dimension differ from DIN standard.

Application example





Compliance

RoHS compliant

Compliant according to Directive 2011/65/EU and Directive 2015/863.

Does not contain SVHC substances

No SVHC substances with more than 0.1% w/w contained - SVHC list [REACH] as of 27.06.2024.

Does not contain Proposition 65 substances

No Proposition 65 substances included.

<https://www.P65Warnings.ca.gov/>

Free from Conflict Minerals

This product does not contain any substances designated as "conflict minerals" such as tantalum, tin, gold or tungsten from the Democratic Republic of Congo or adjacent countries.